

Instrucciones de montaje · Assembly Instructions

CO-1972



**ES** · IMPORTANTE: A CONSERVAR PARA FUTURAS CONSULTAS. LÉASE ATENTAMENTE.

**EN** · IMPORTANT: PLEASE KEEP FOR FUTURE REFERENCE. READ CAREFULLY.

**FR** · ATTENTION: CONSERVER POUR CONSULTER AU FUTUR.

**IT** · IMPORTANTE: LEGGERE ATTENTAMENTE LE ISTRUZIONE. TENERE PER FUTURE CONSULTAZIONE.

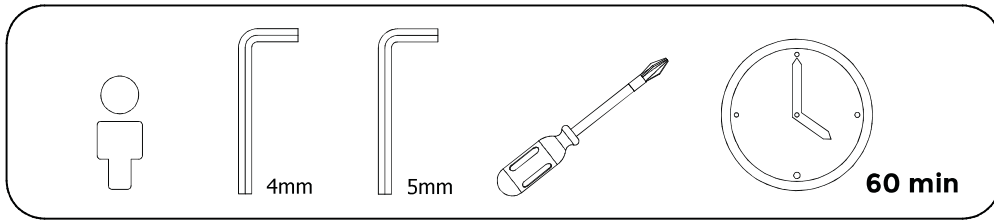
**PT** · IMPORTANTE: MANTENHA PARA FUTURAS CONSULTAS. LÉASE ANTENTAMENTE.

**R** · ВАЖНО: СОХРАНИТЕ ДЛЯ ДАЛЬНЕЙШЕГО ИСПОЛЬЗОВАНИЯ. ВНИМАТЕЛЬНО ПРОЧИТИТЕ.

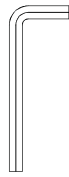
**A** · — لامعتسالا لابق اديج أرقا. ةعجارم لل ظفح ا. ماه

**CN** · 重要事项：保留以备将来参考，请仔细阅读。





C07914  
x1 (4mm)



C07506  
x1 (5mm)



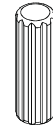
C02374  
x6 (4x22)



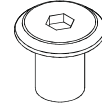
C01538  
x24



C01537  
x24



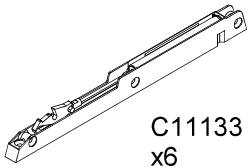
C01419  
x8 (7.8x25)



C11286  
x4



C01235  
x12 (euro)



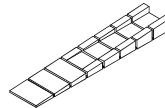
C11133  
x6



C11196  
x6



C04790  
x12



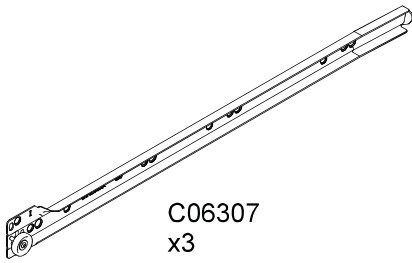
C00329  
x1



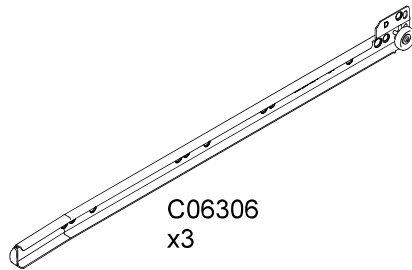
C11322  
x12 (3.5x20)



C01113  
x12 (3.5x15)



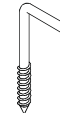
C06307  
x3



C06306  
x3



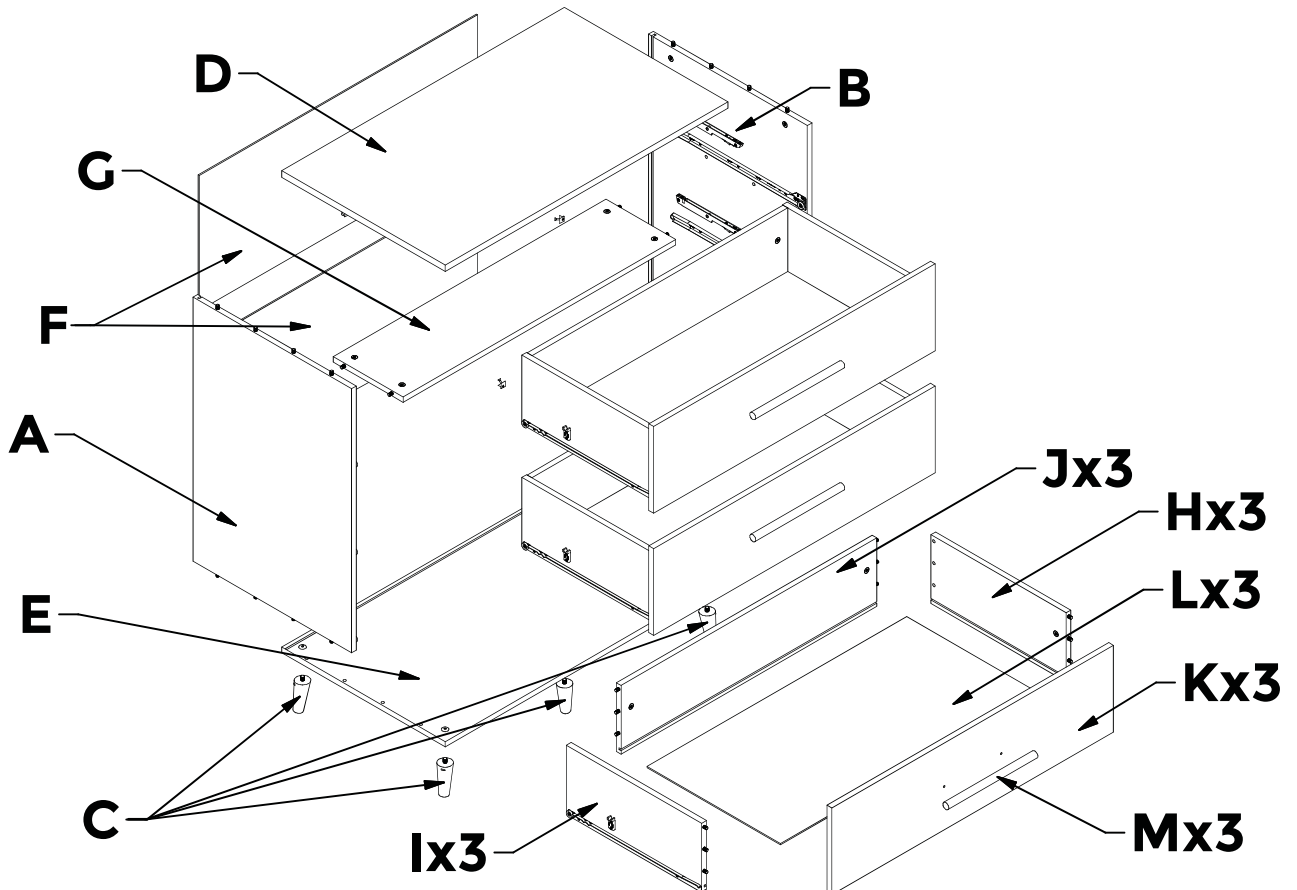
C00326  
x1

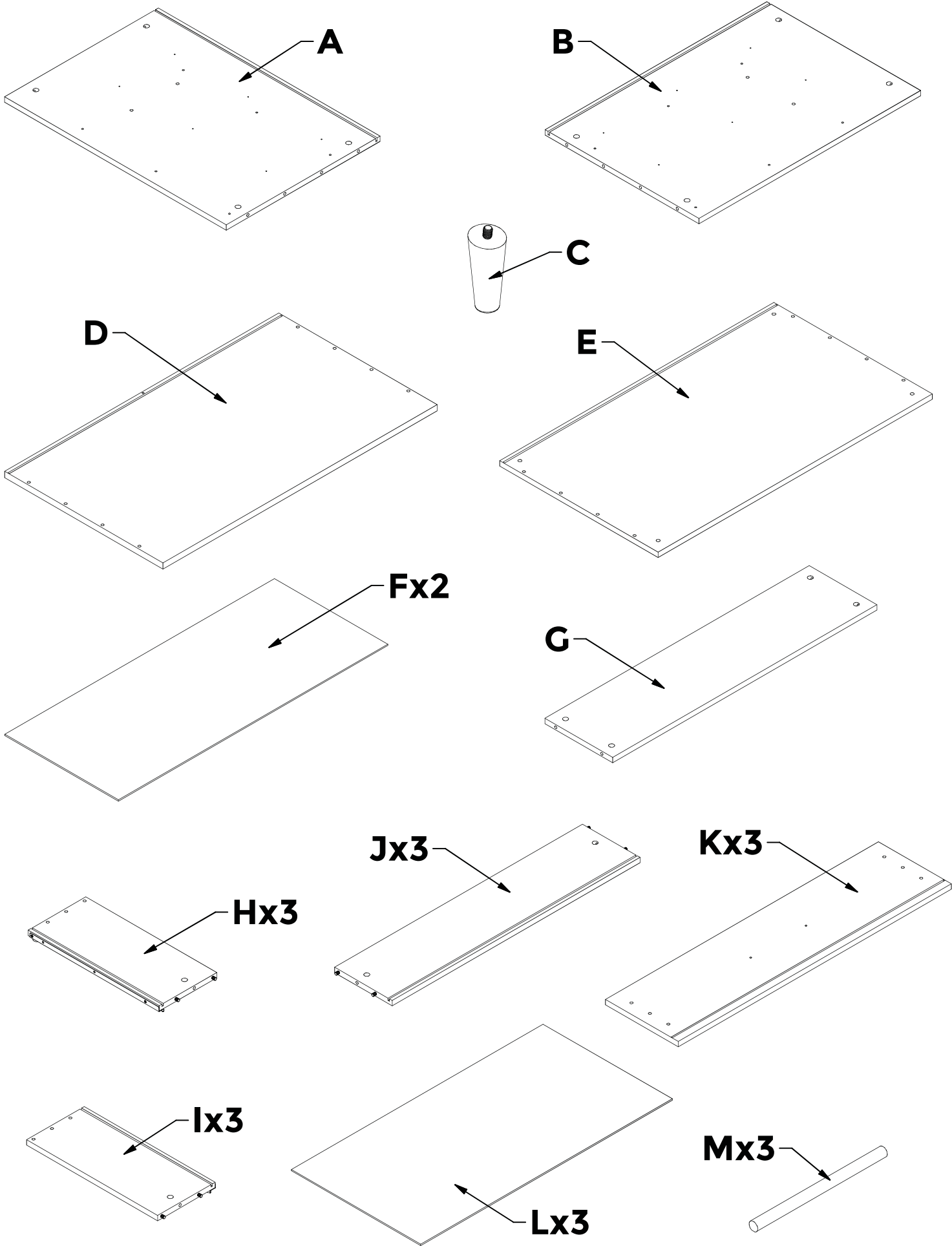


C10392  
x1

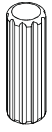


C10987  
x4





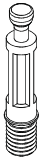
**1**



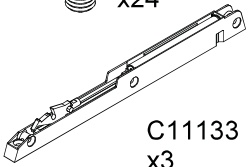
C01419  
x4 (7.8x25)



C01537  
x4



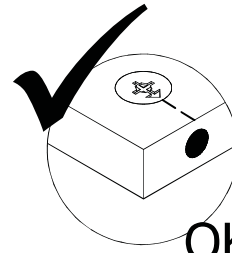
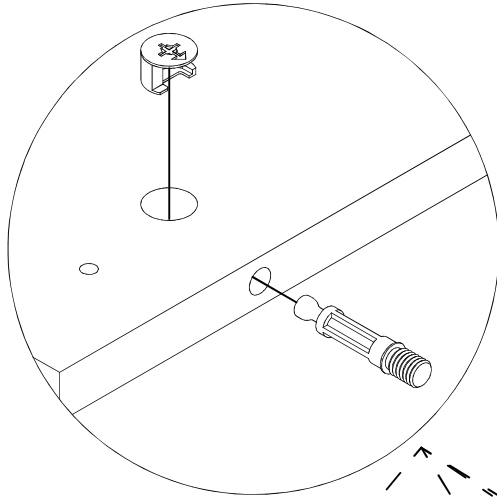
C01538  
x24



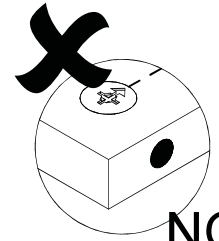
C11133  
x3



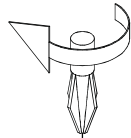
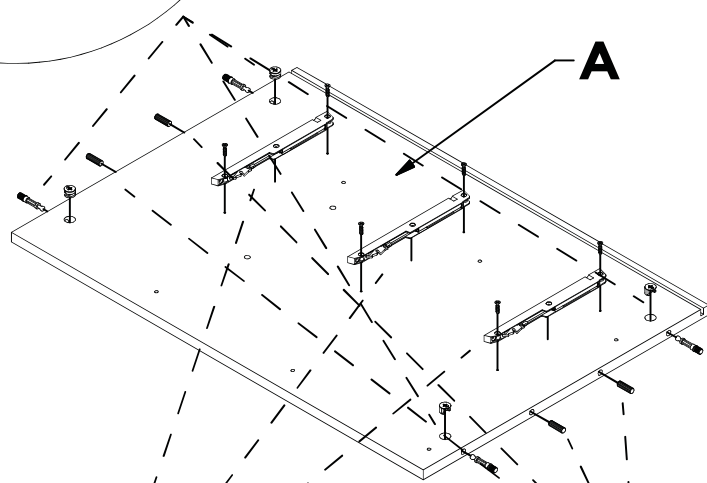
C11322  
x6 (3.5x20)



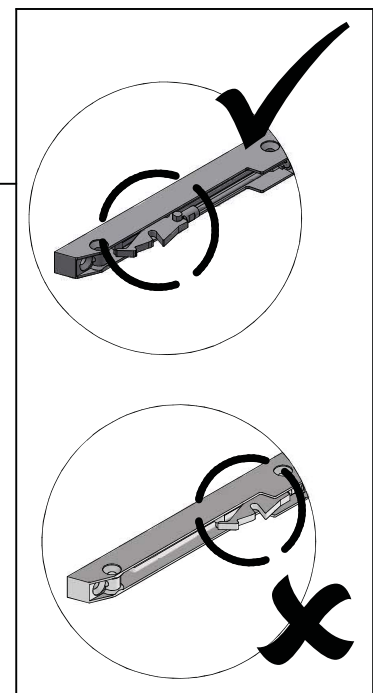
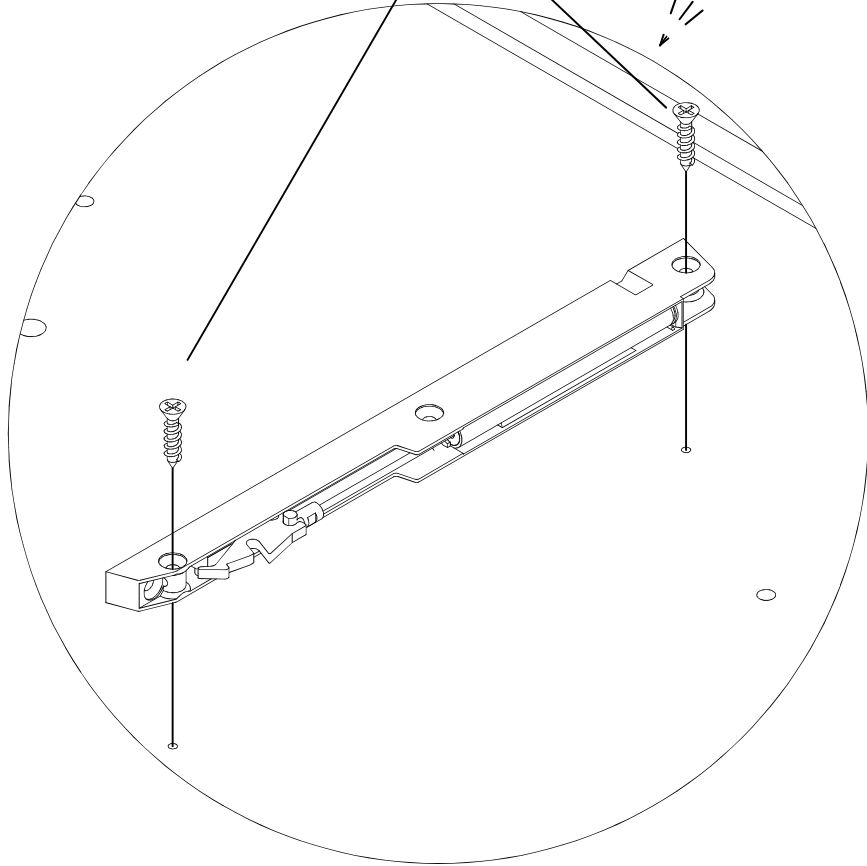
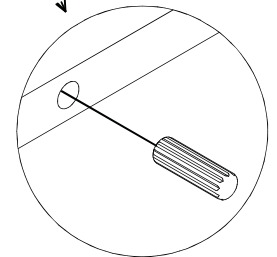
OK



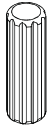
NOK



x6



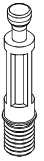
# 2



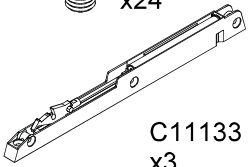
C01419  
x4 (7.8x25)



C01537  
x4



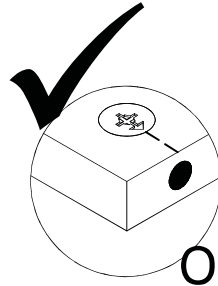
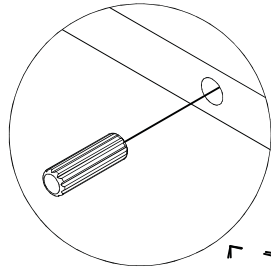
C01538  
x24



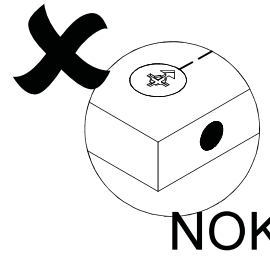
C11133  
x3



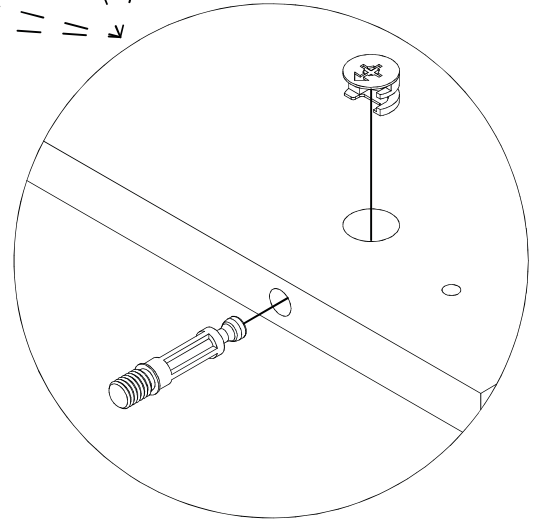
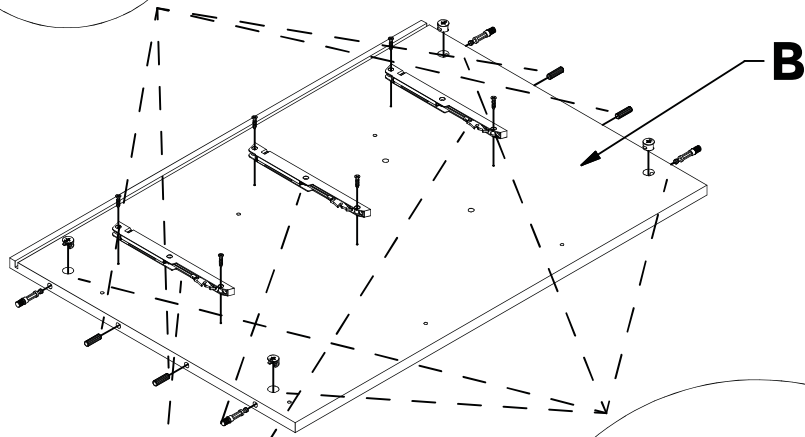
C11322  
x6 (3.5x20)



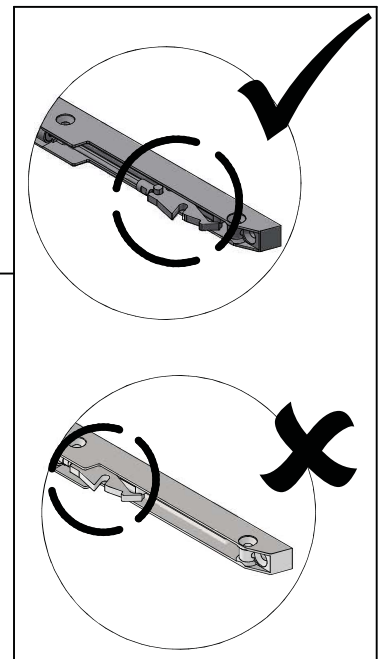
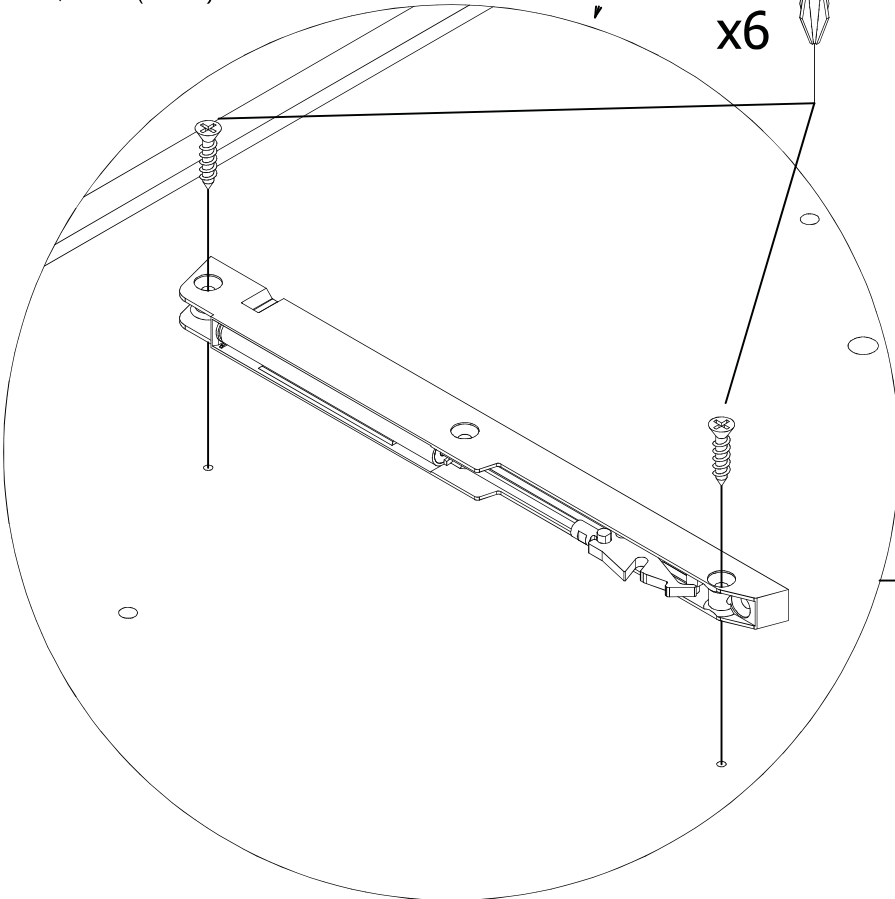
OK



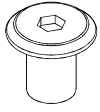
NOK



x6



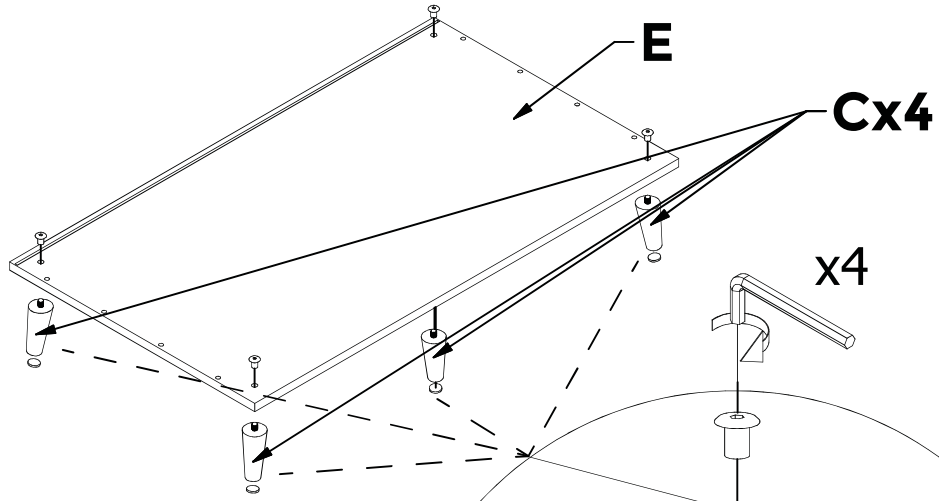
# 3



C11286  
x4



C10987  
x4



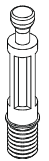
x4



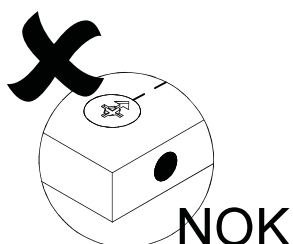
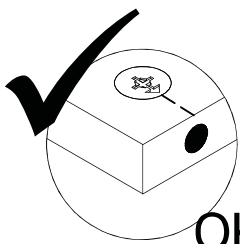
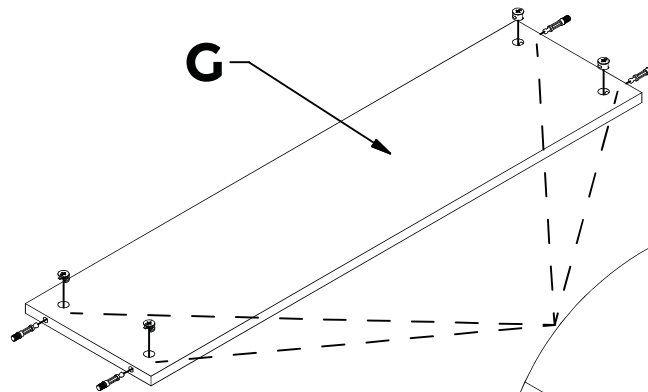
# 4



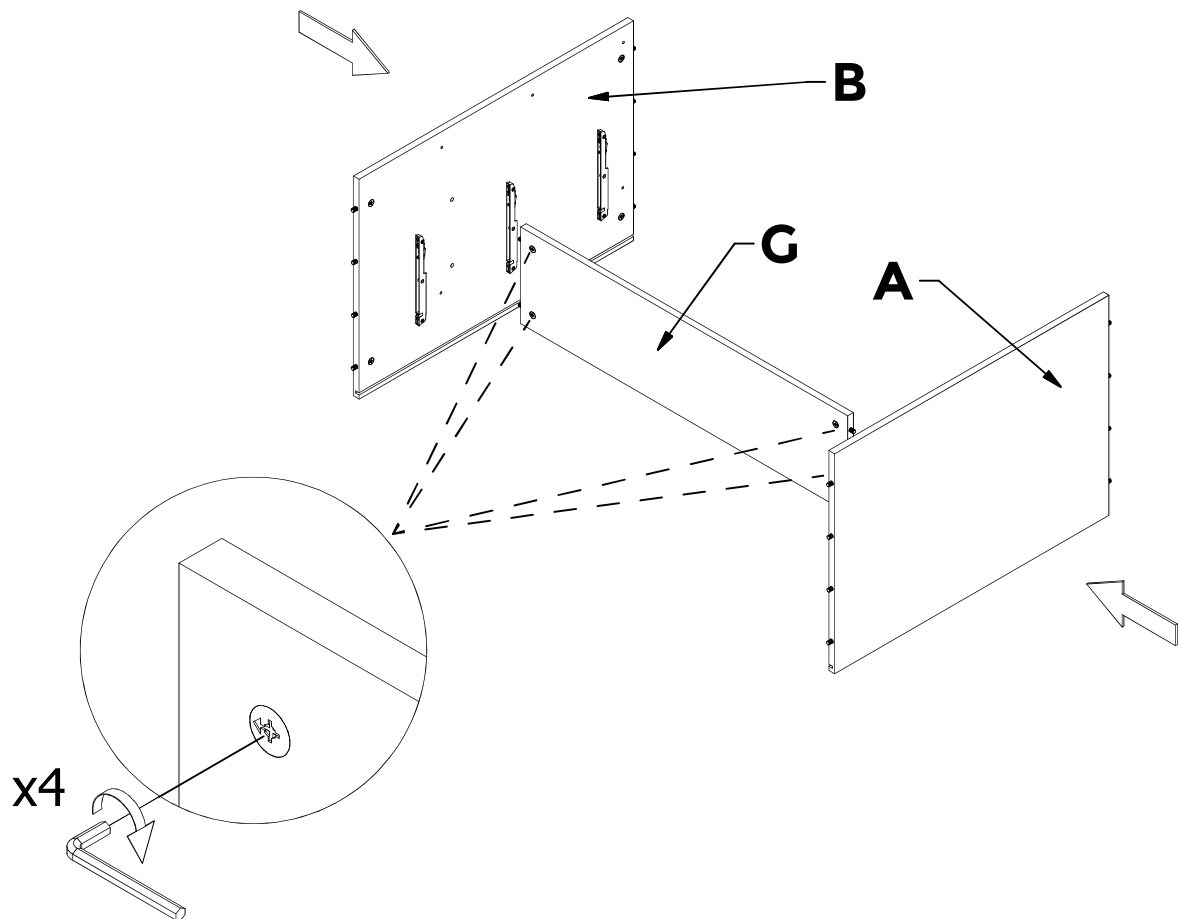
C01537  
x4



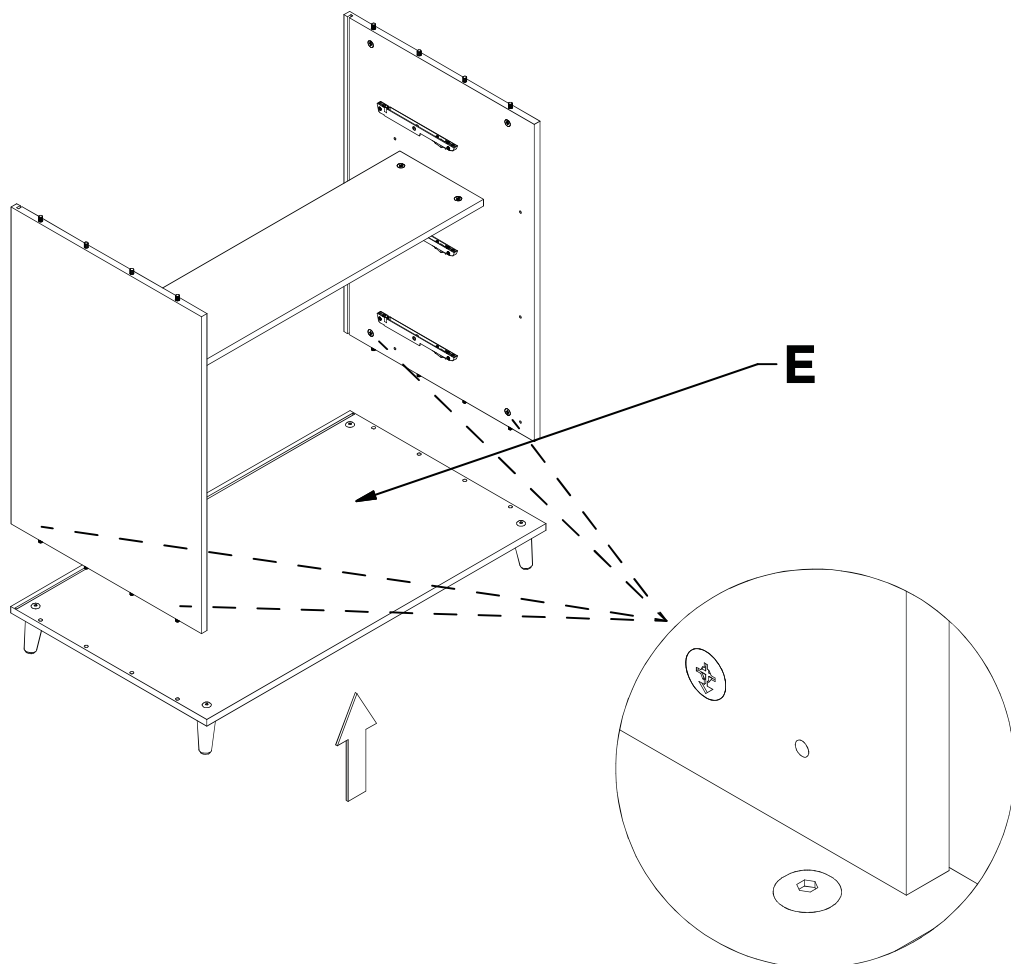
C01538  
x4



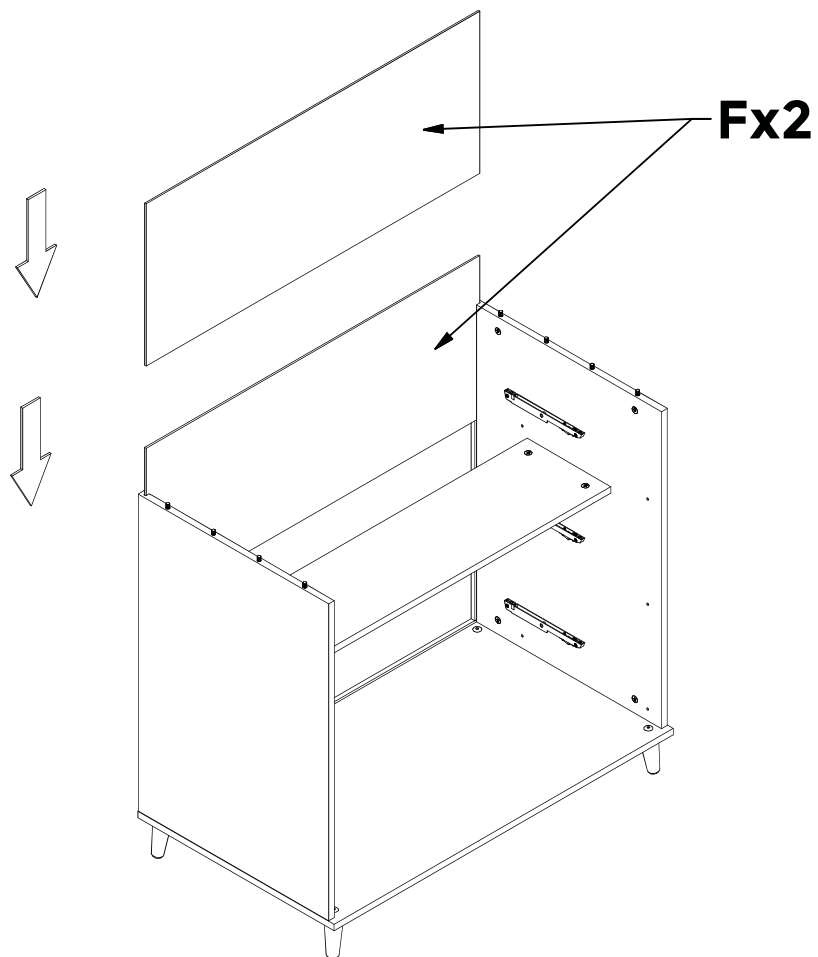
# 5



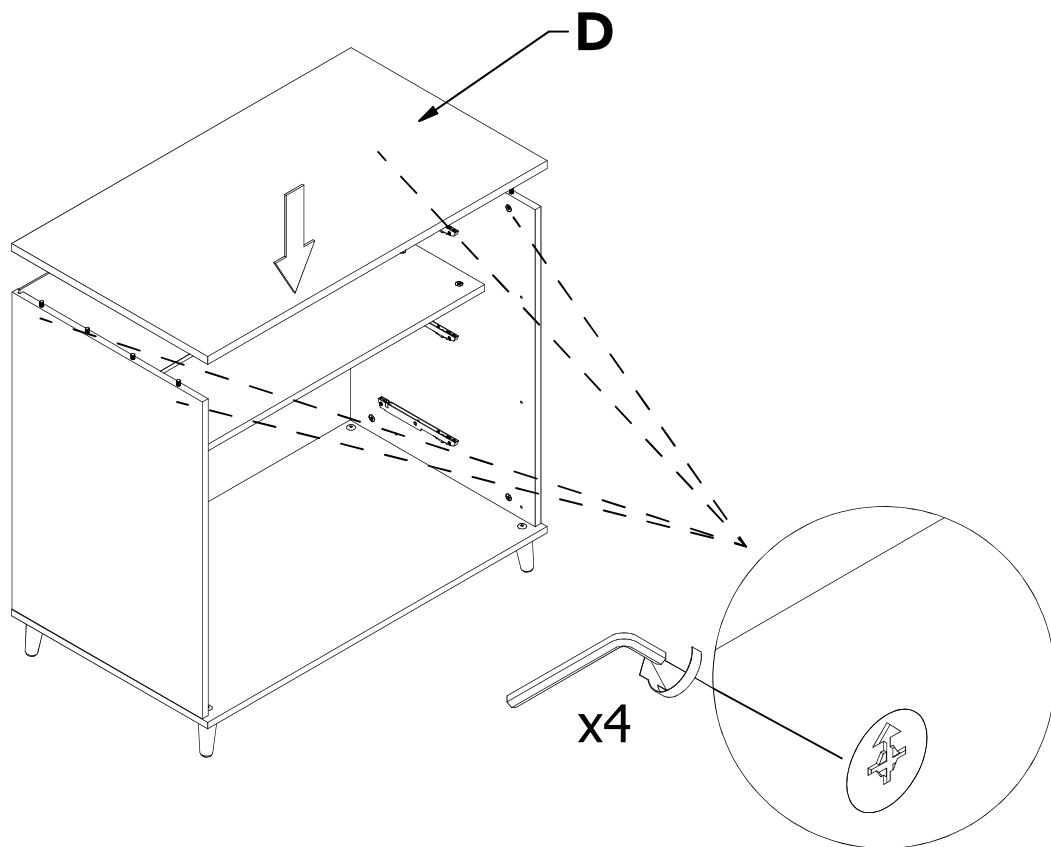
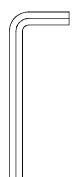
# 6



# 7

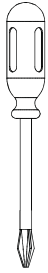


# 8

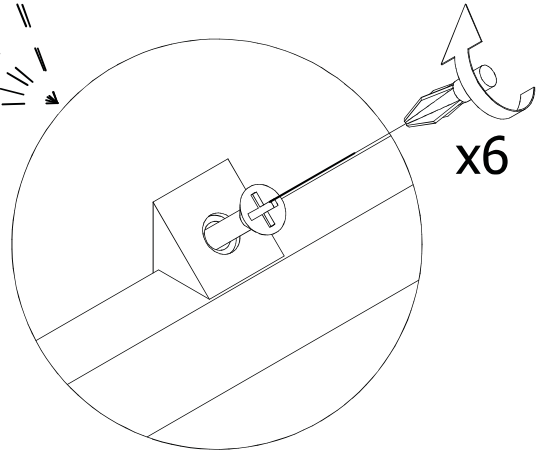
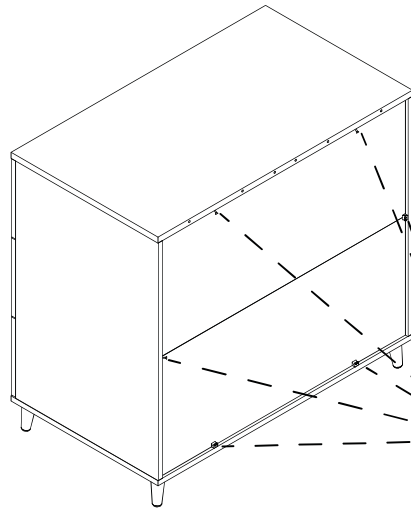




# 9



C04790  
x6



# 10

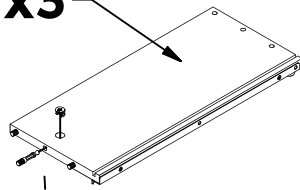


C01537  
x12

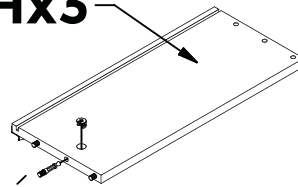


C01538  
x12

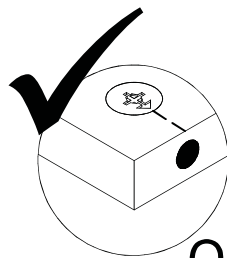
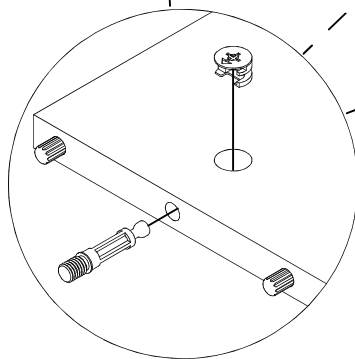
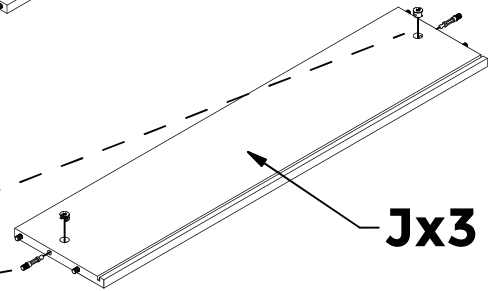
Ix3



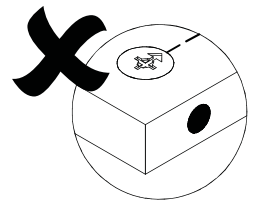
Hx3



Jx3

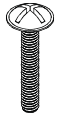
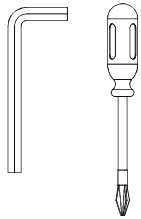


OK

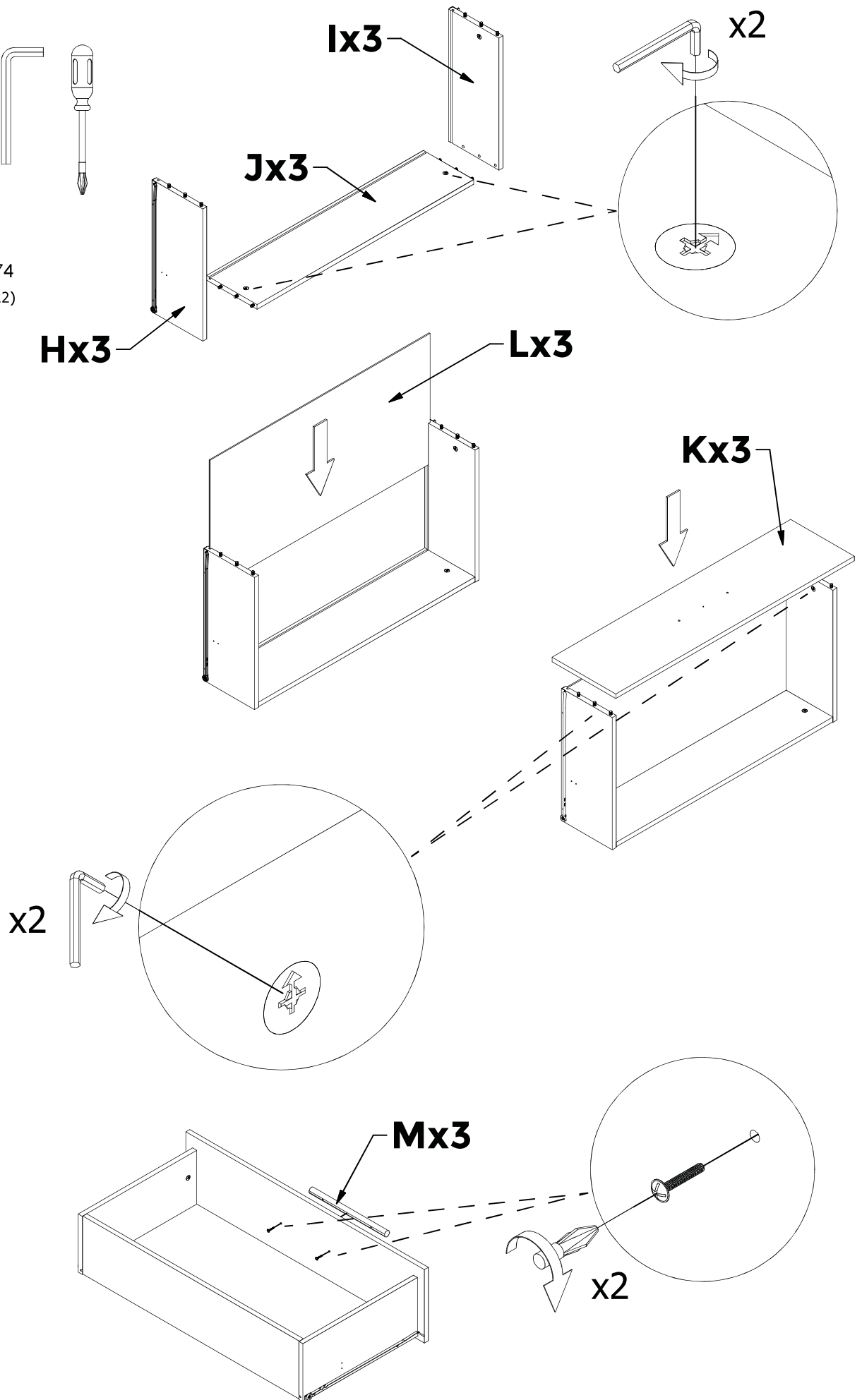


NOK

# 11



C02374  
x6 (4x22)



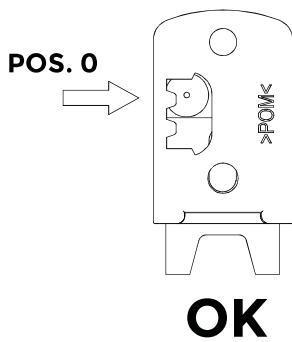
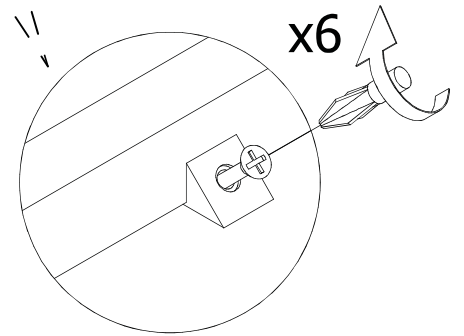
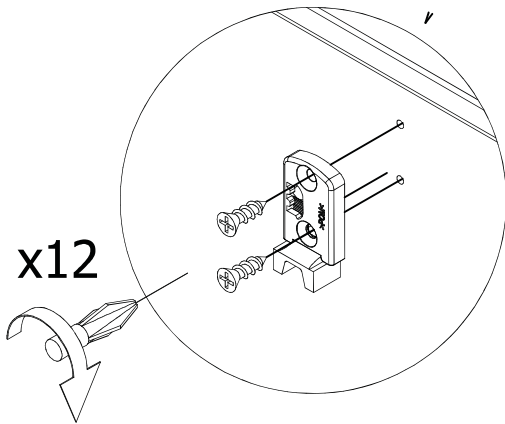
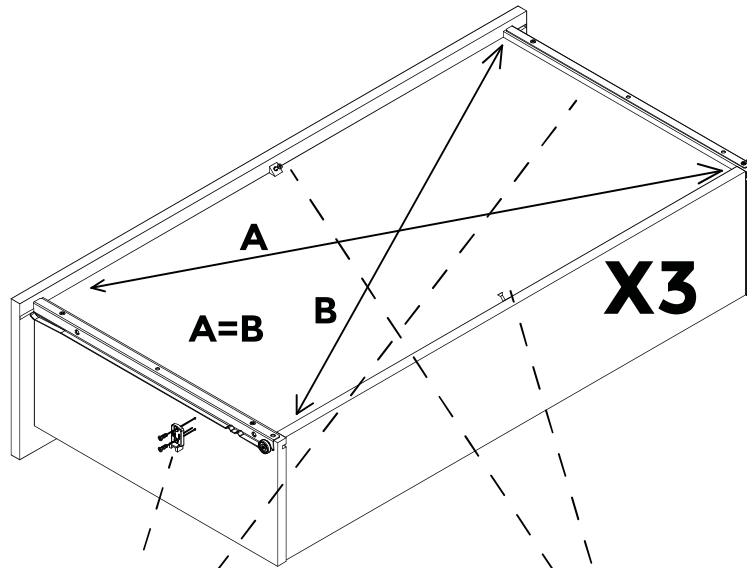
# 12



C01113  
x12 (3.5x15)



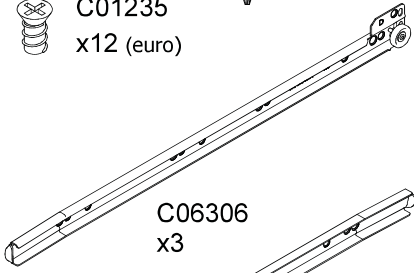
C00329  
x6



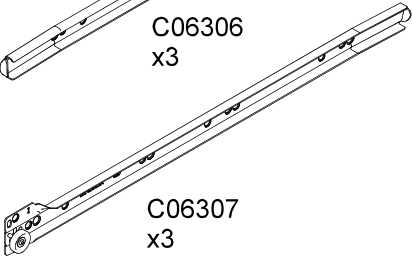
# 13



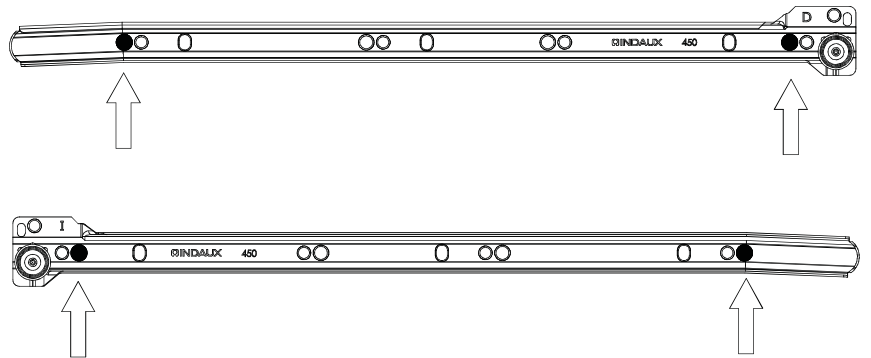
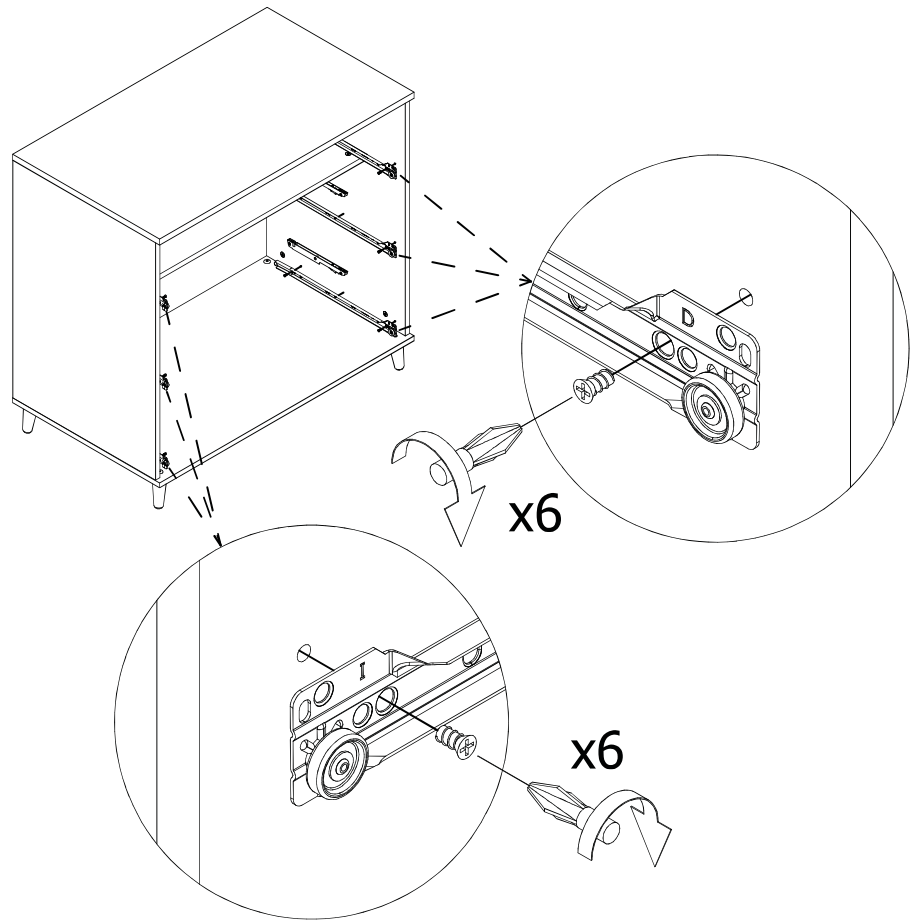
C01235  
x12 (euro)



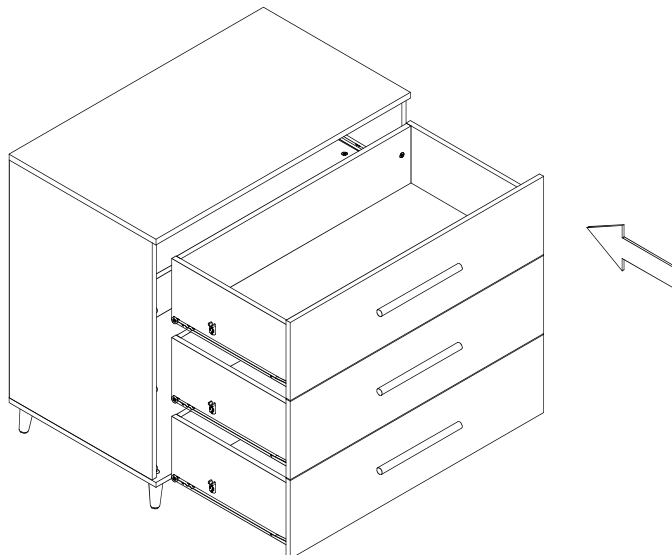
C06306  
x3



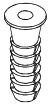
C06307  
x3



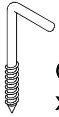
# 14



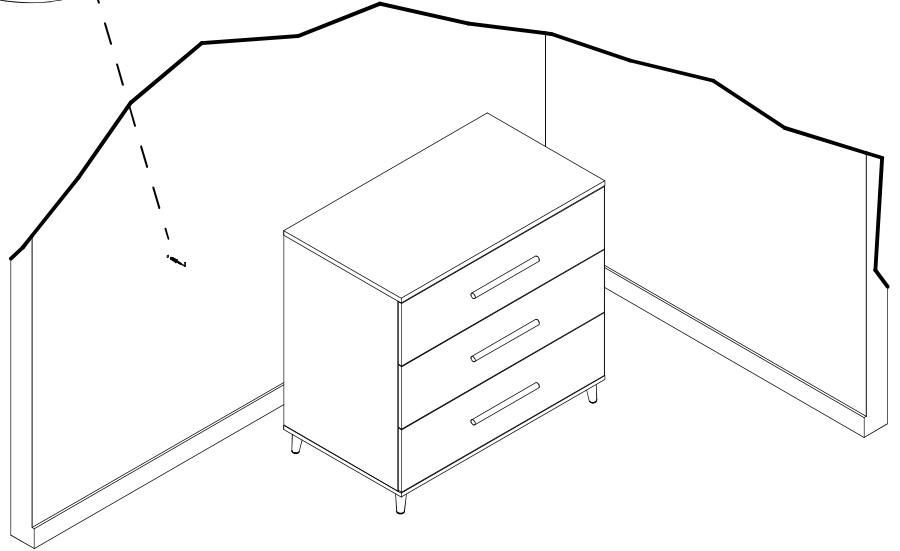
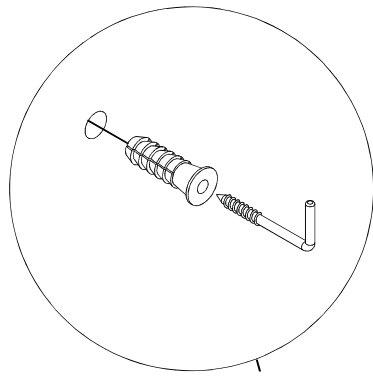
# 15



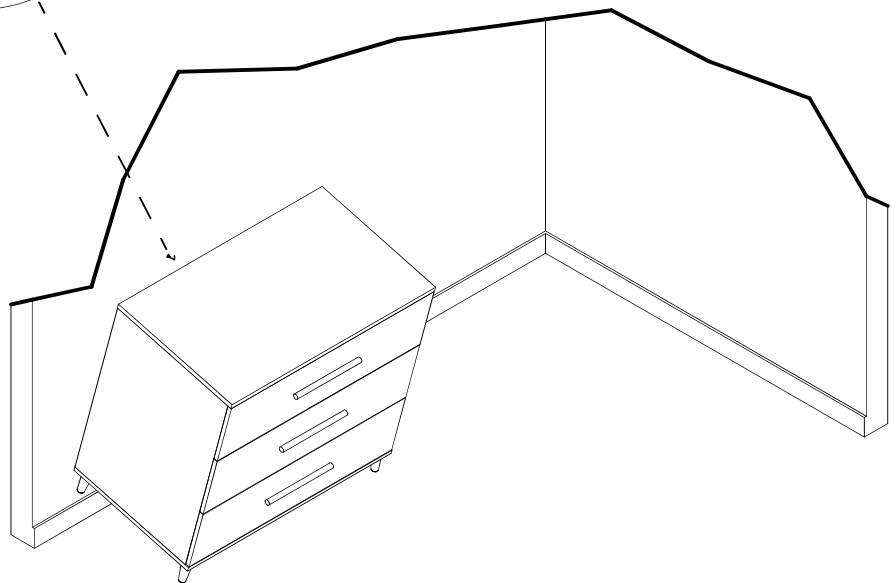
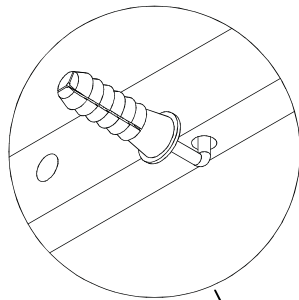
C00326  
x1



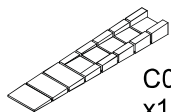
C10392  
x1



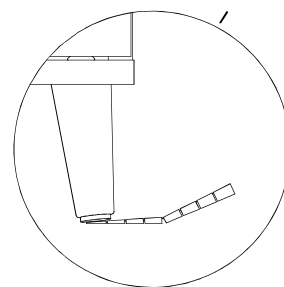
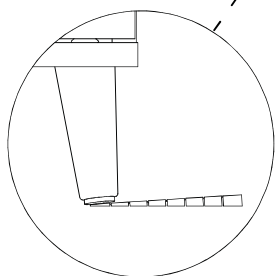
# 16



# 17



C00329  
x1



# OK!!