

Instrucciones de montaje · Assembly Instructions

## A-1967 MARTHA

**ES** • IMPORTANTE: A CONSERVAR PARA FUTURAS CONSULTAS. LÉASE ATENTAMENTE.

**EN** • IMPORTANT: PLEASE KEEP FOR FUTURE REFERENCE. READ CAREFULLY.

**FR** • ATTENTION: CONSERVER POUR CONSULTER AU FUTUR.

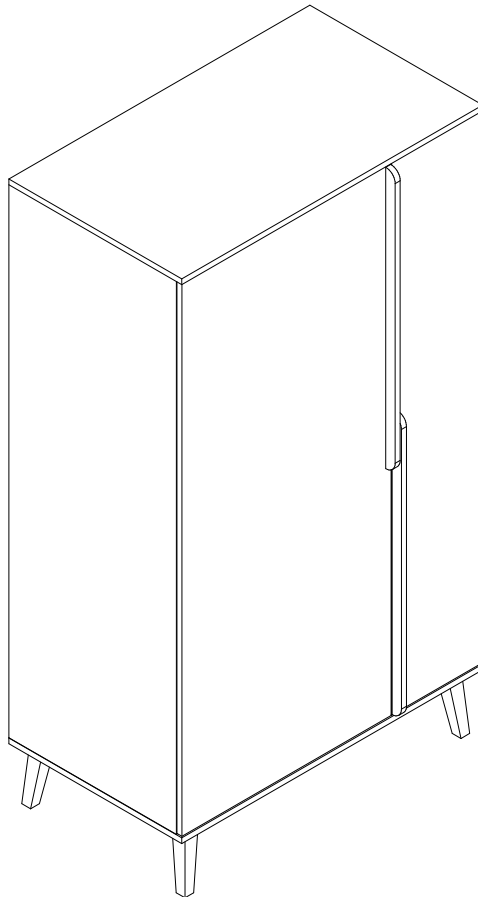
**IT** • IMPORTANTE: LEGGERE ATTENTAMENTE LE ISTRUZIONE. TENERE PER FUTURE CONSULTAZIONE.

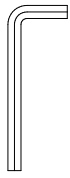
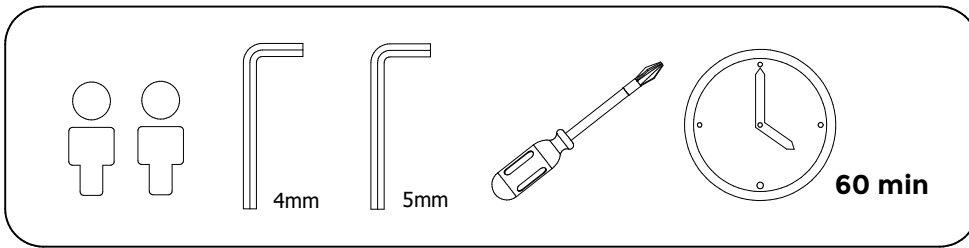
**PT** • IMPORTANTE: MANTENHA PARA FUTURAS CONSULTAS. LÉASE ATENTAMENTE.

**R** • ВАЖНО: СОХРАНИТЕ ДЛЯ ДАЛЬНЕЙШЕГО ИСПОЛЬЗОВАНИЯ. ВНИМАТЕЛЬНО ПРОЧИТАЙТЕ.

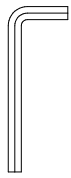
**A** • — لامعتسالا لابق اديج أرقا. ةعجارم لل ظفح ا ماه.

**CN** • 重要事项：保留以备将来参考，请仔细阅读。

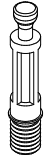




C07914  
x1 (4mm)



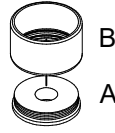
C07506  
x1 (5mm)



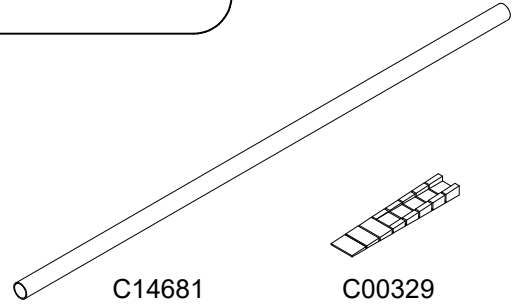
C01538  
x12



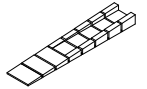
C01537  
x12



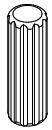
C14243  
x2



C14681  
x1



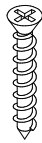
C00329  
x1



C01419  
x16 (7.8x25)



C01247  
x4 (6x25)



C03122  
x6 (3.5x30)



C00325  
x4



C11286  
x4



C01528  
x4



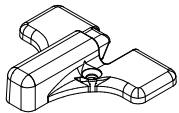
C04790  
x8



C01536  
x24



C01759  
x24



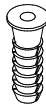
C10631  
x2



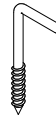
C10987  
x4



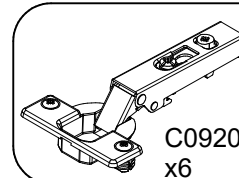
C01113  
x4 (3.5x15)



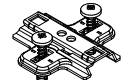
C0326  
x1



C10392  
x1

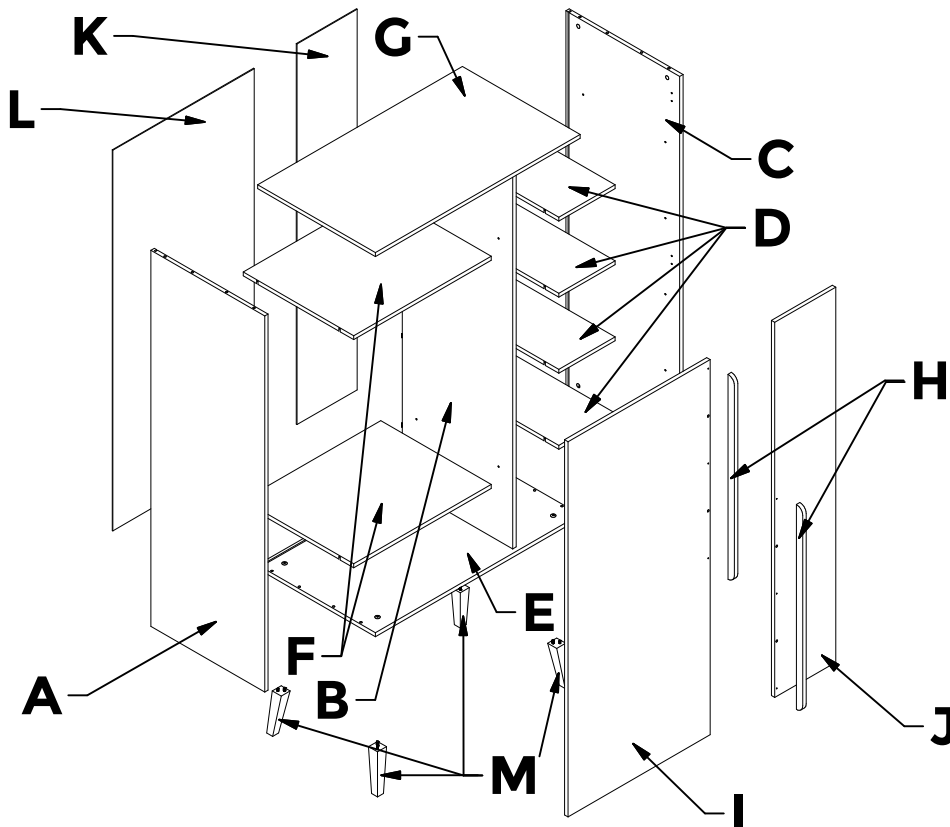


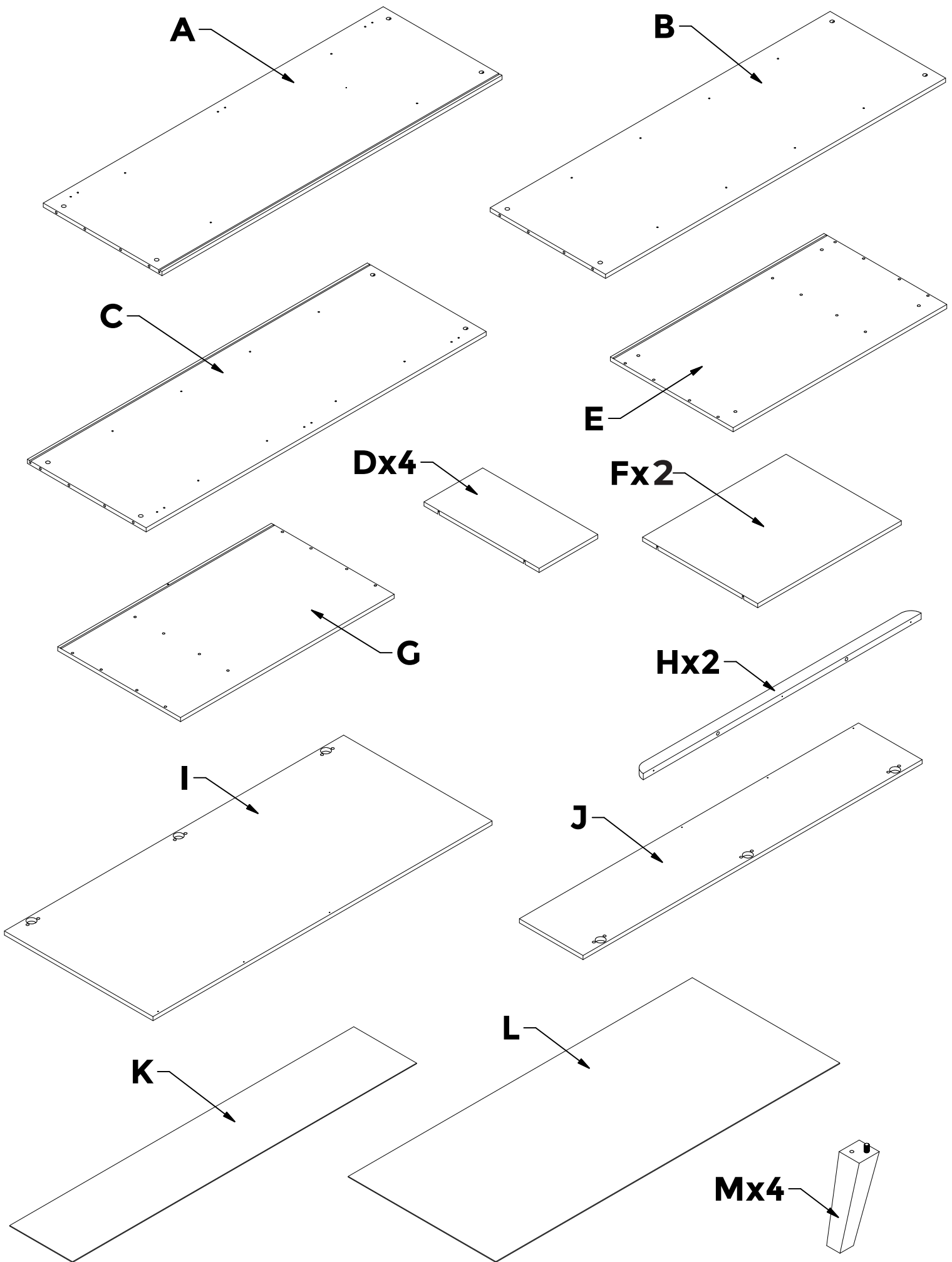
C09207  
x6



C09208  
x6

5025548





# 1



C14243  
x1



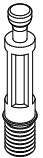
C01113  
x1 (3.5x15)



C01537  
x4



C01536  
x4

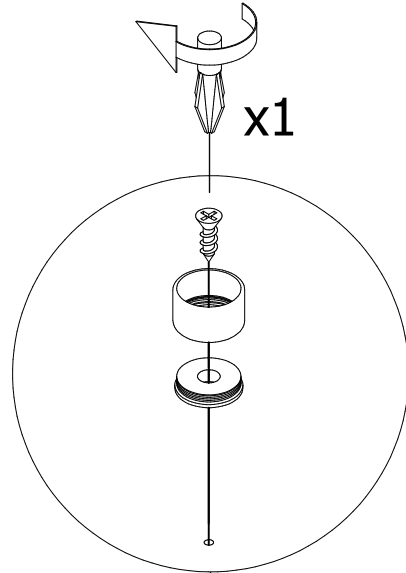
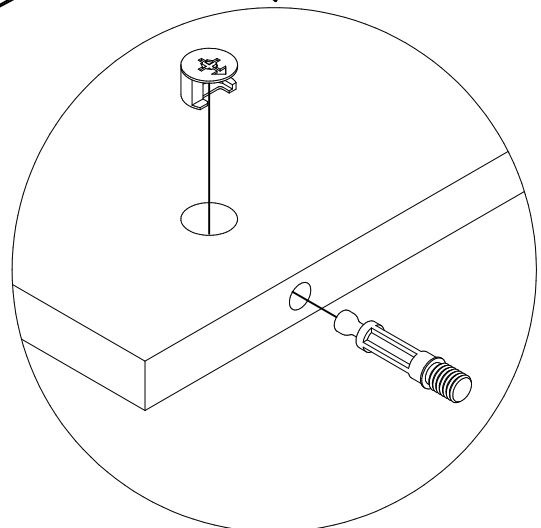
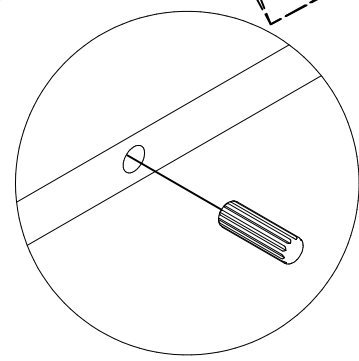
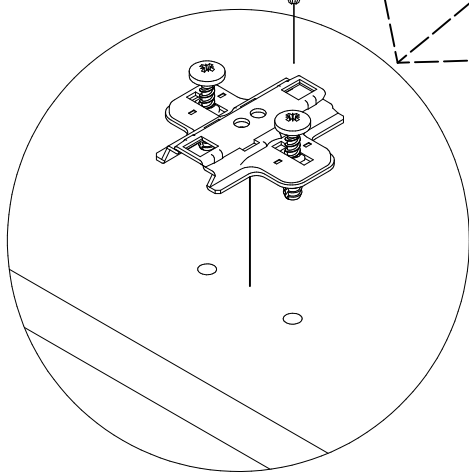


C01538  
x4

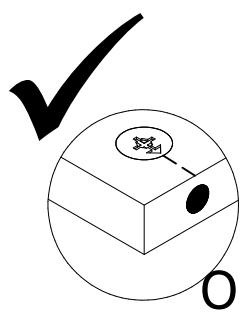


C01419  
x4 (7.8x25)

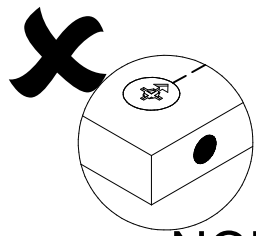
x6



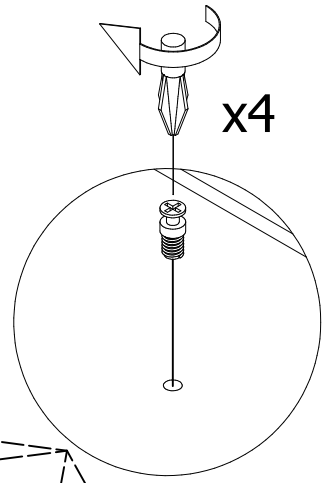
x1



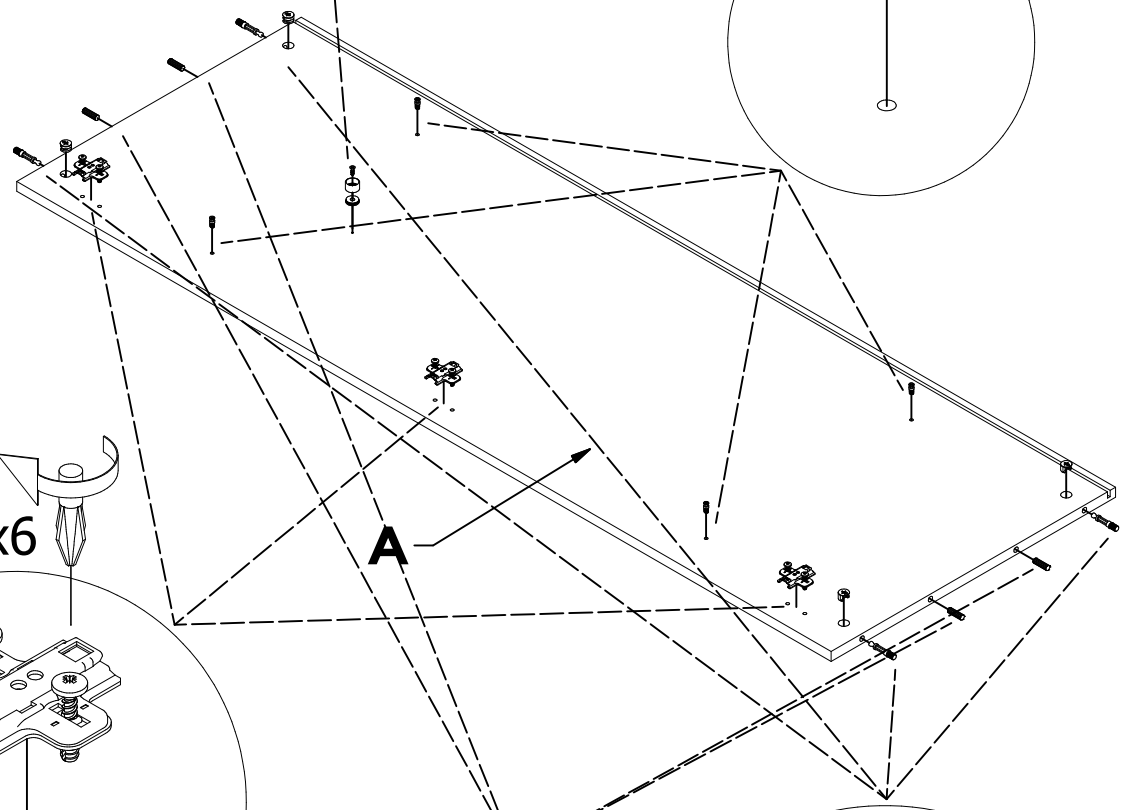
OK



NOK



x4



A

# 2



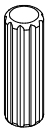
C01537  
x4



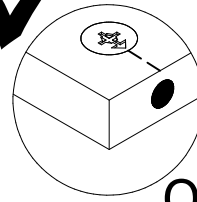
C01536  
x8



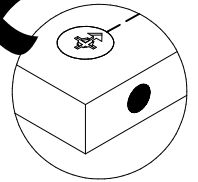
C01538  
x4



C01419  
x4 (7.8x25)

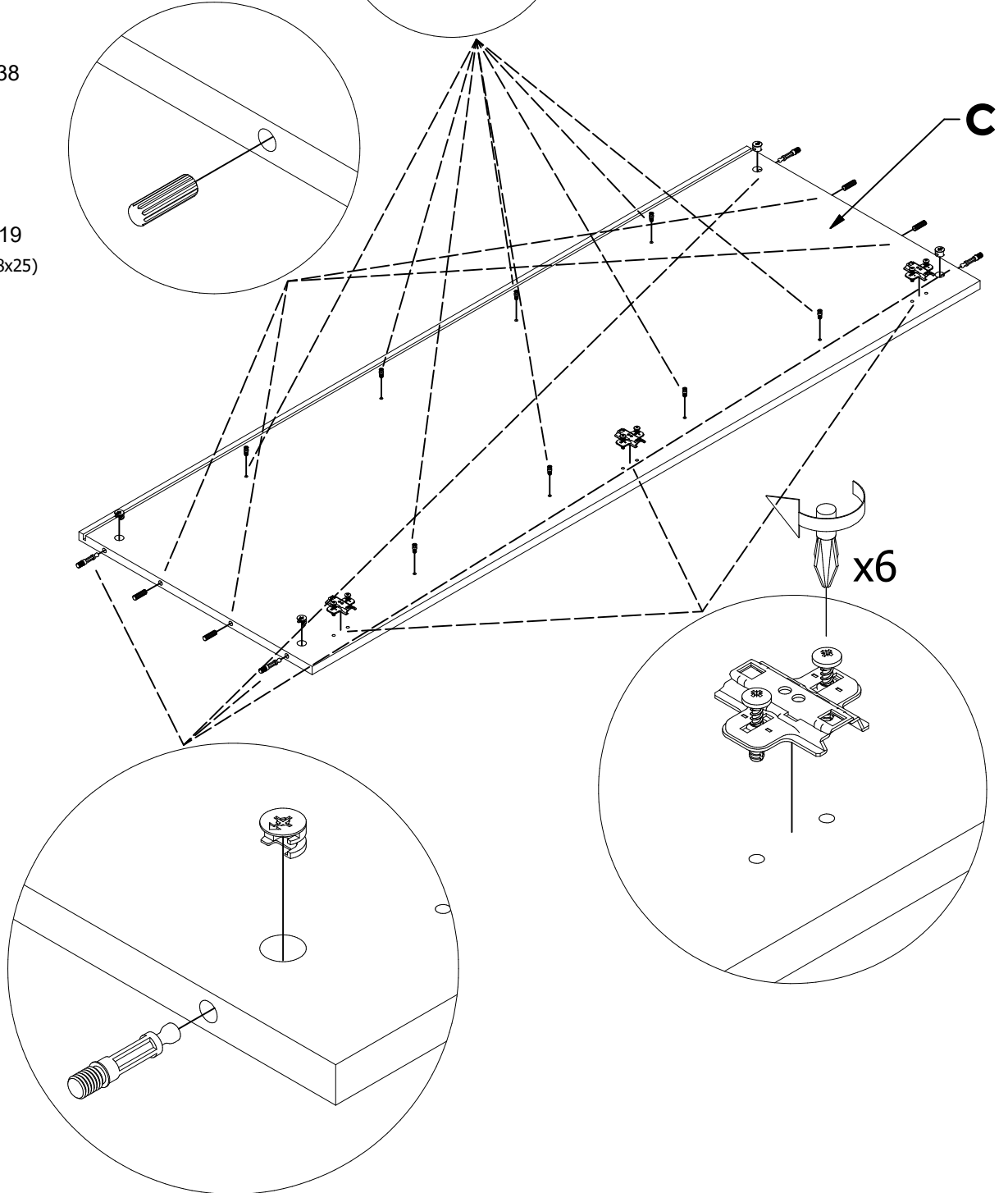
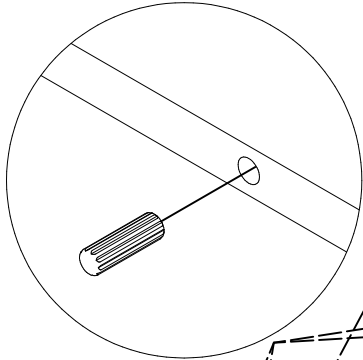
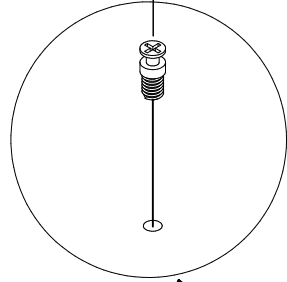


OK



NOK


x8





x6


# 3

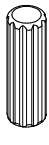


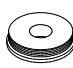
 C01113  
x1 (3.5x15)

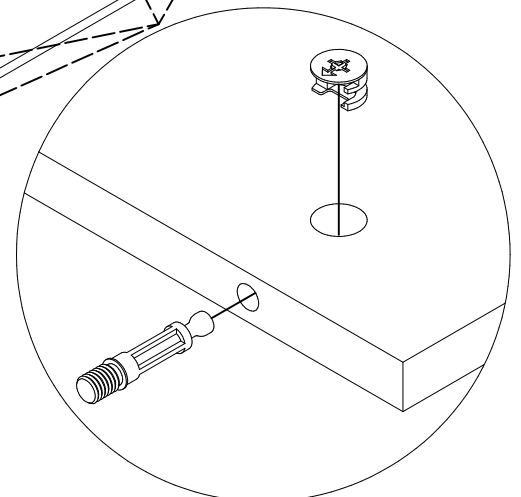
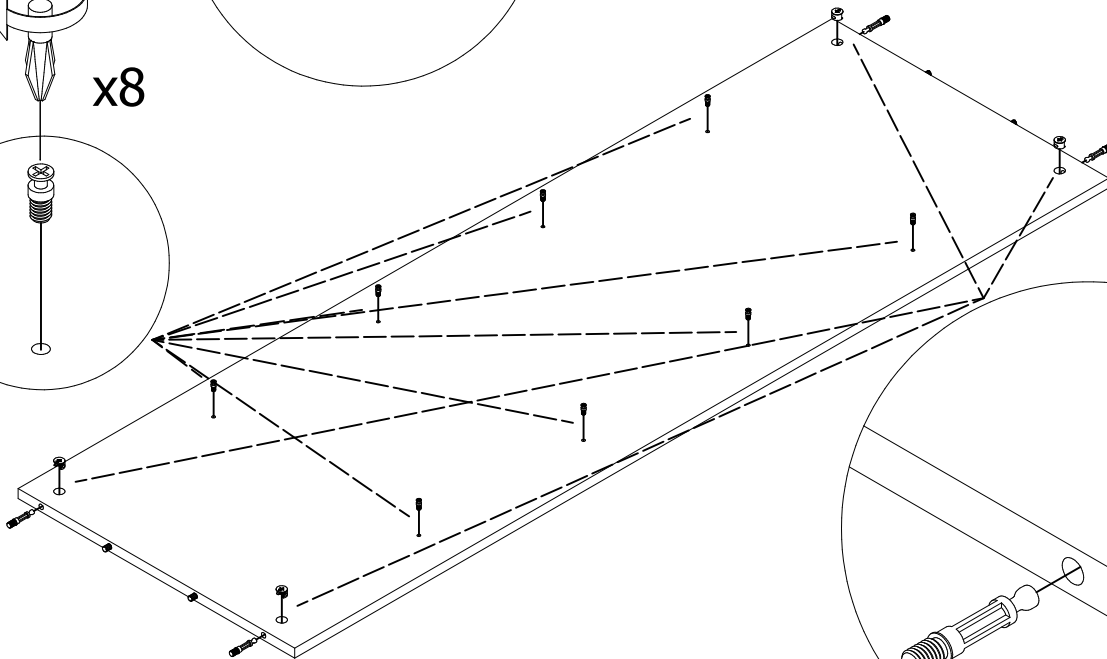
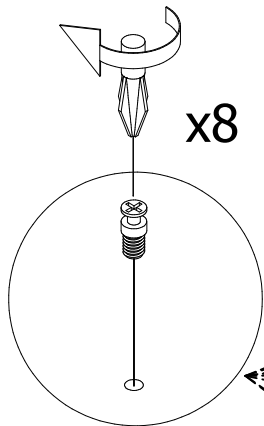
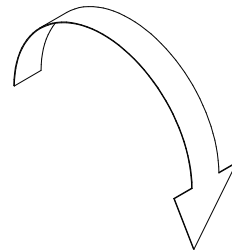
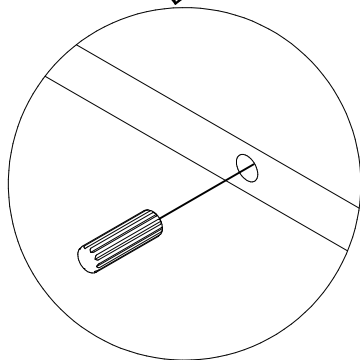
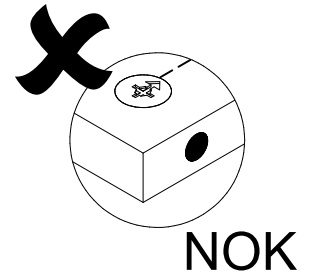
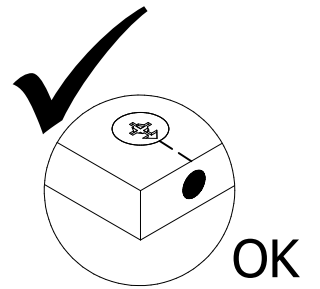
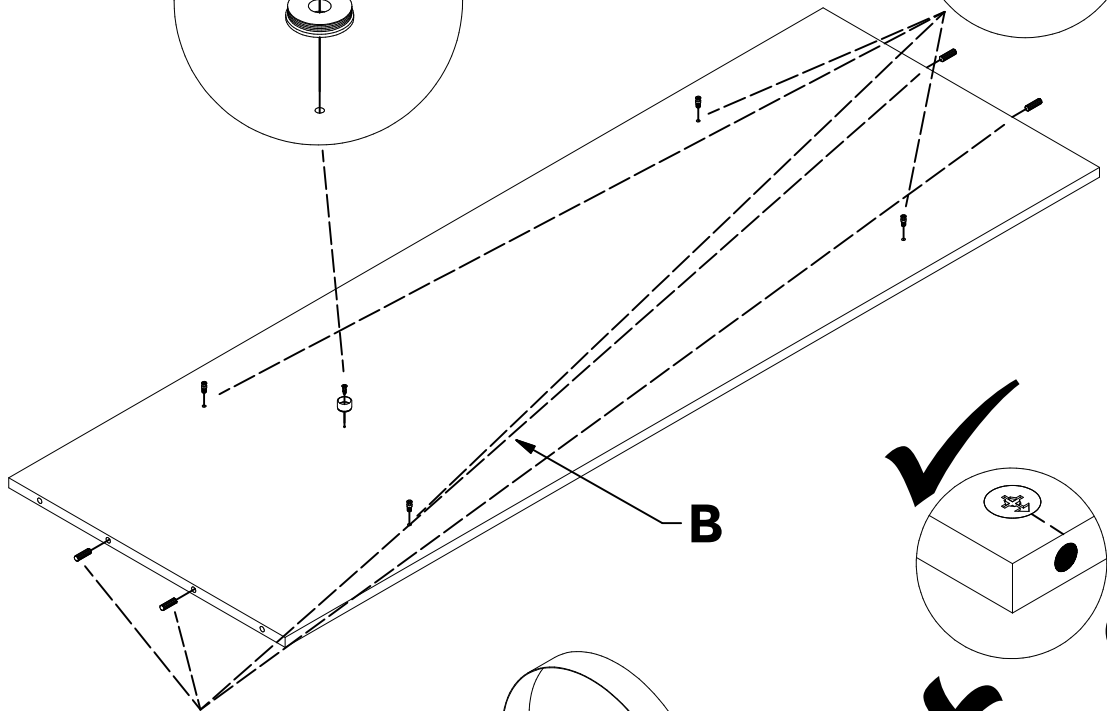
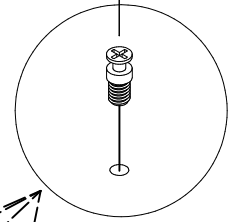
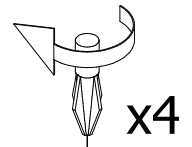
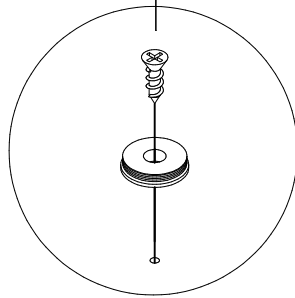
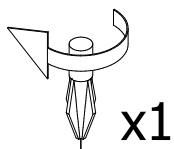
 C01537  
x4

 C01536  
x12

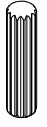
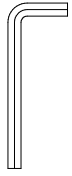
 C01538  
x4

 C01419  
x4 (7.8x25)

 C14243  
x1



# 4



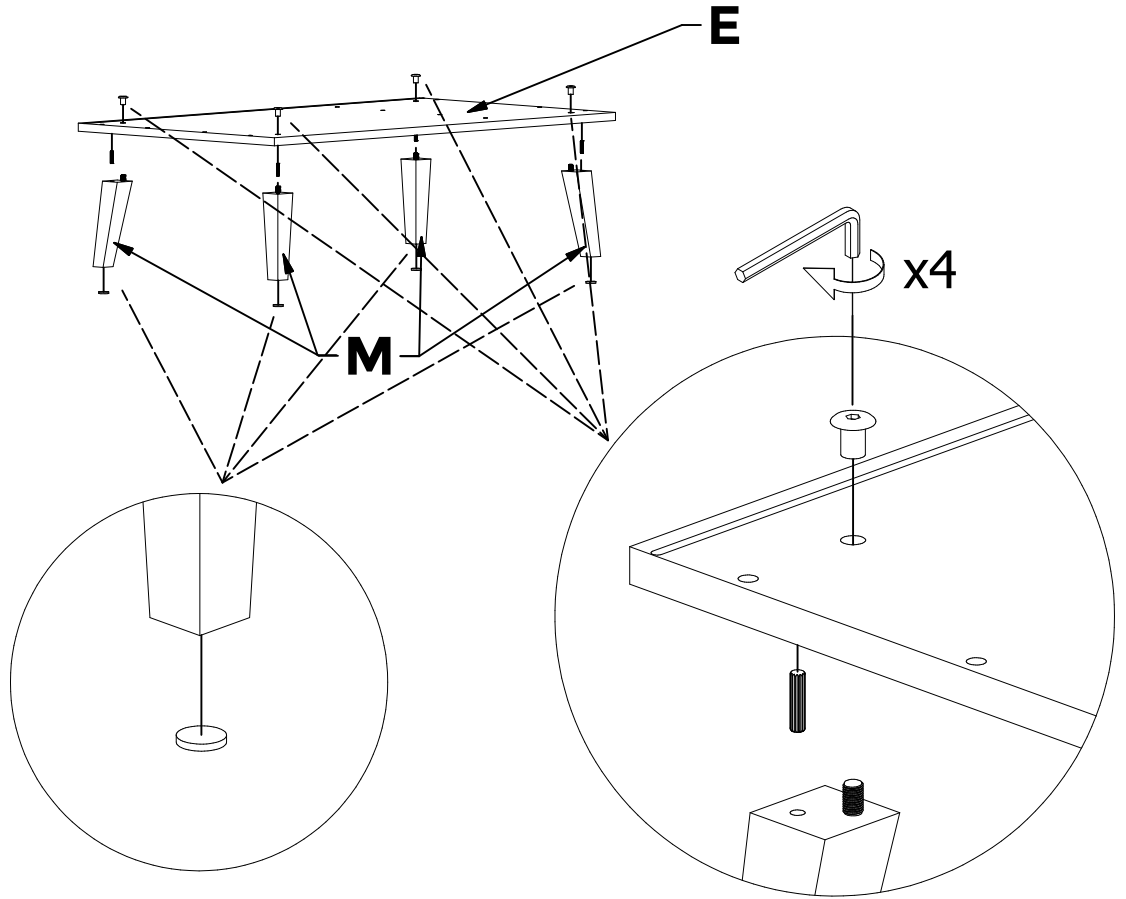
C01247  
x4 (6x25)



C11286  
x4



C10987  
x4

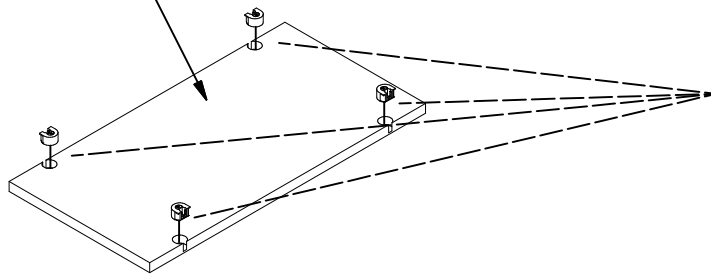


# 5



C01759  
x16

**Dx4**

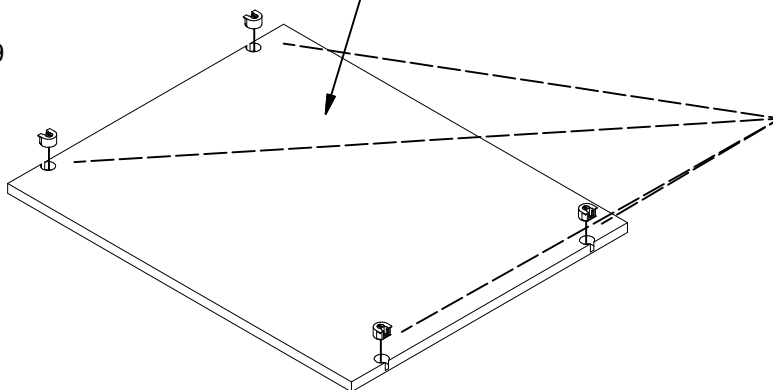


# 6



C01759  
x8

**Fx2**



# 7



C01113  
x1 (3.5x15)

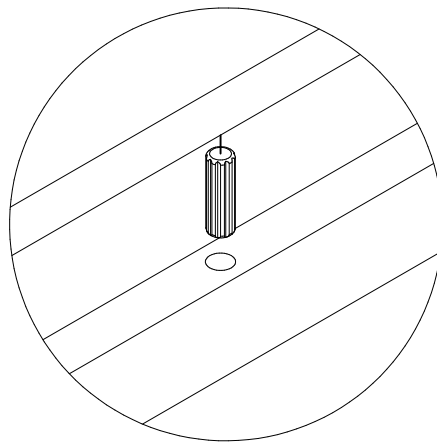
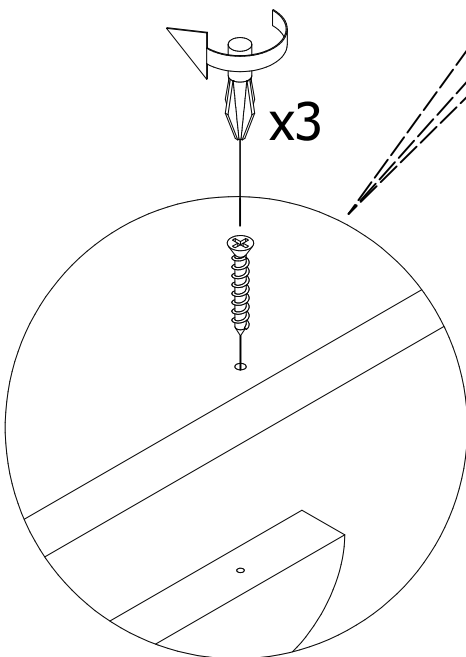
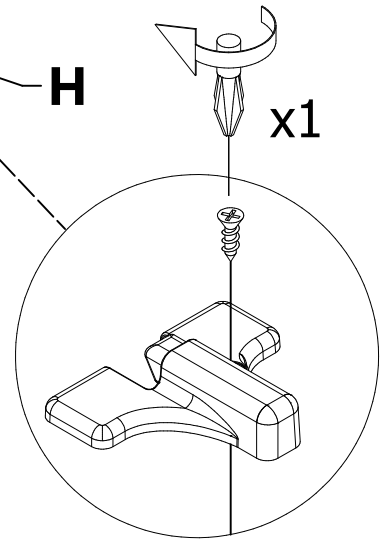
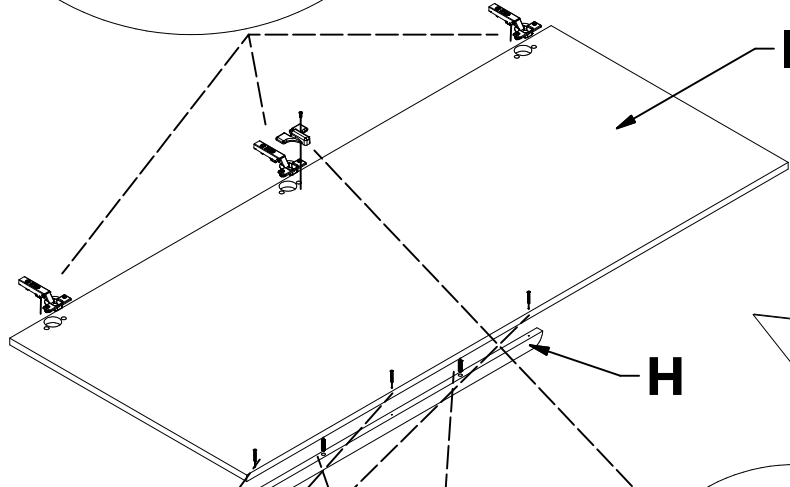
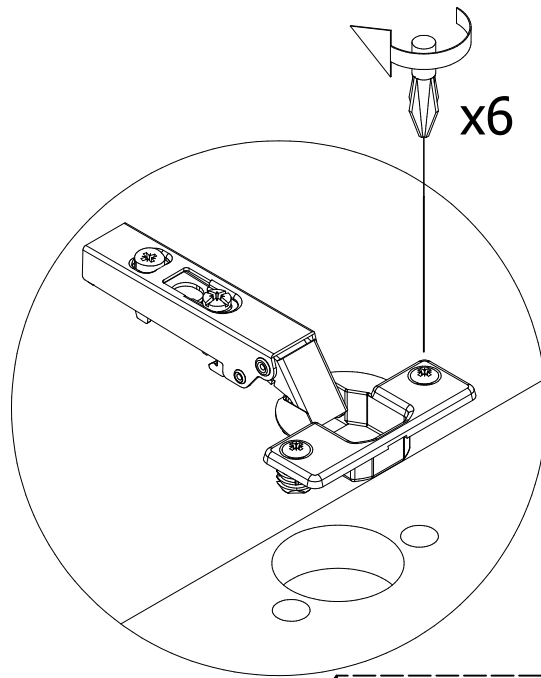
C01419  
x2 (7.8x25)

C09207  
x3

C09208  
x3

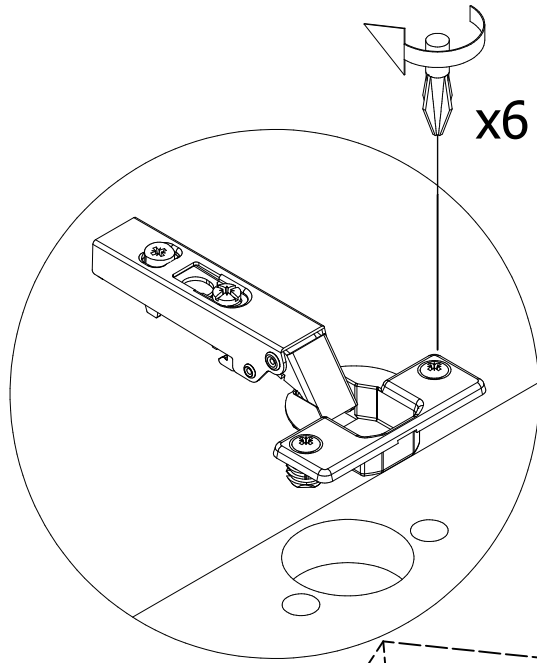
C03122  
x3 (3.5x30)

C10631  
x1





# 8



C01113  
x1 (3.5x15)

C01419  
x2 (7.8x25)

C09207  
x3

C09208  
x3

C03122  
x3 (3.5x30)

C10631  
x1

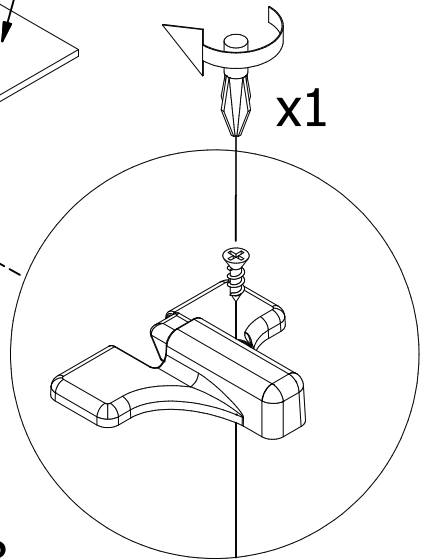
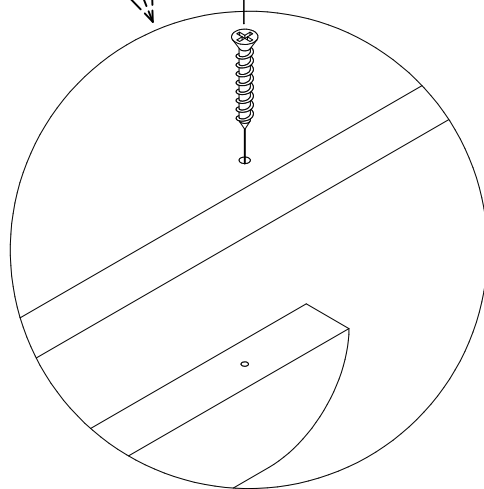
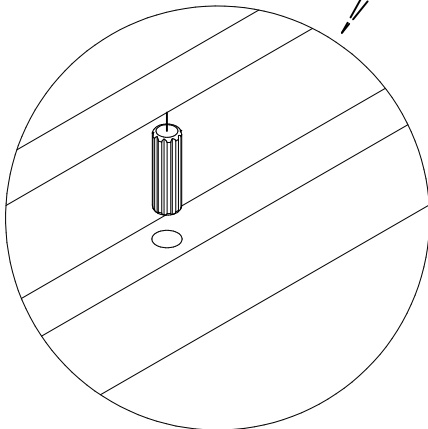
**J**

**H**

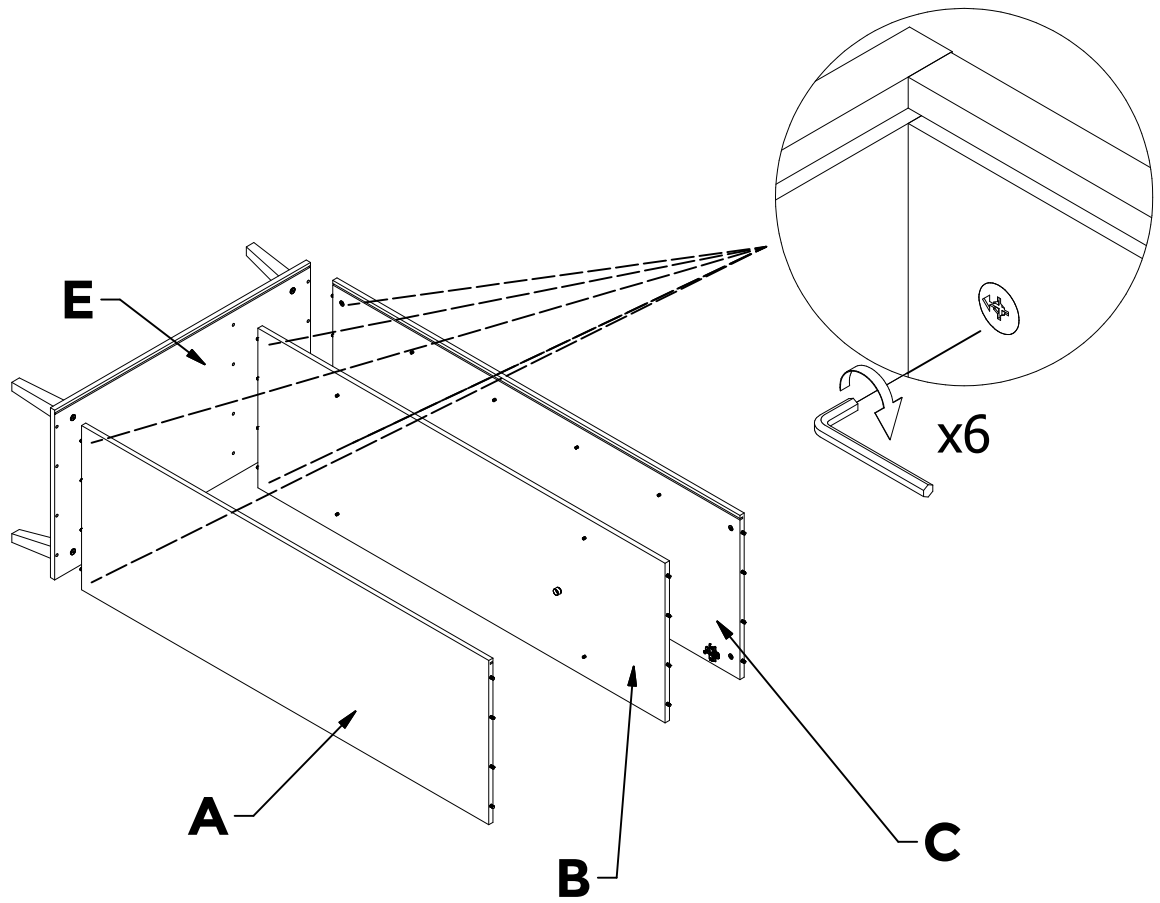
**J**

x1

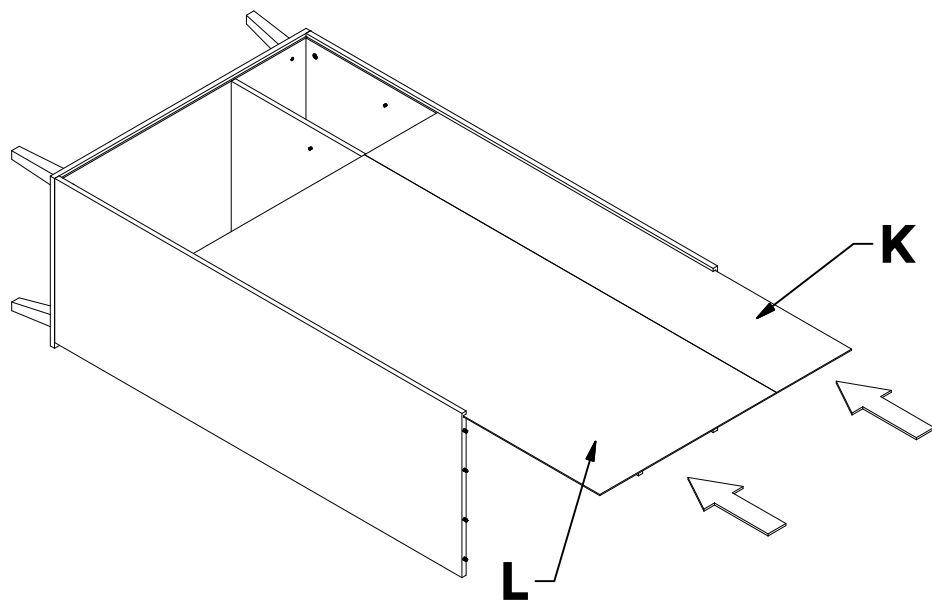
x3



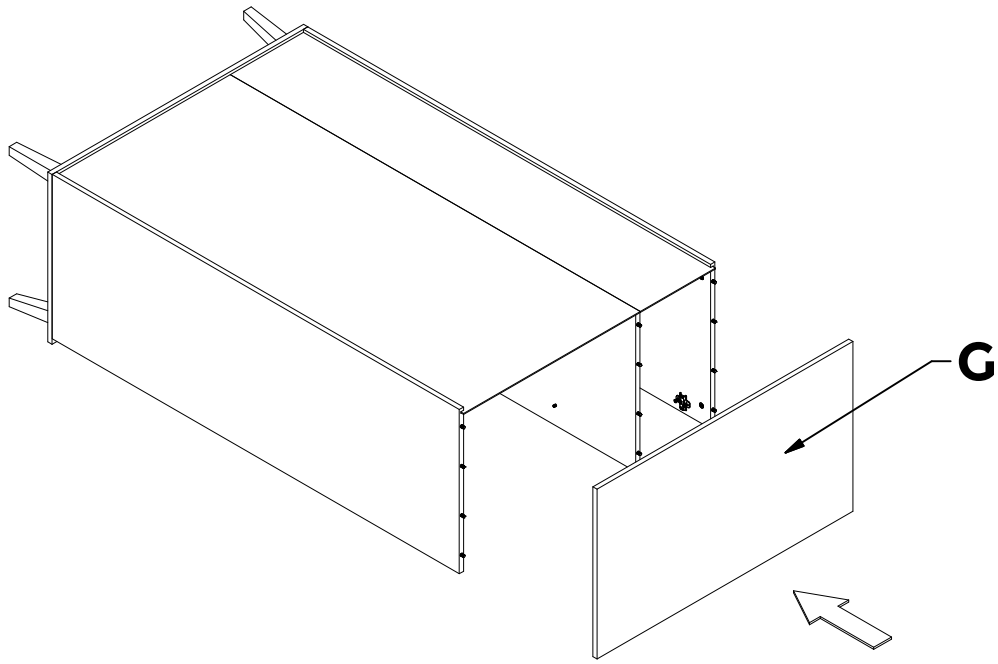
# 9



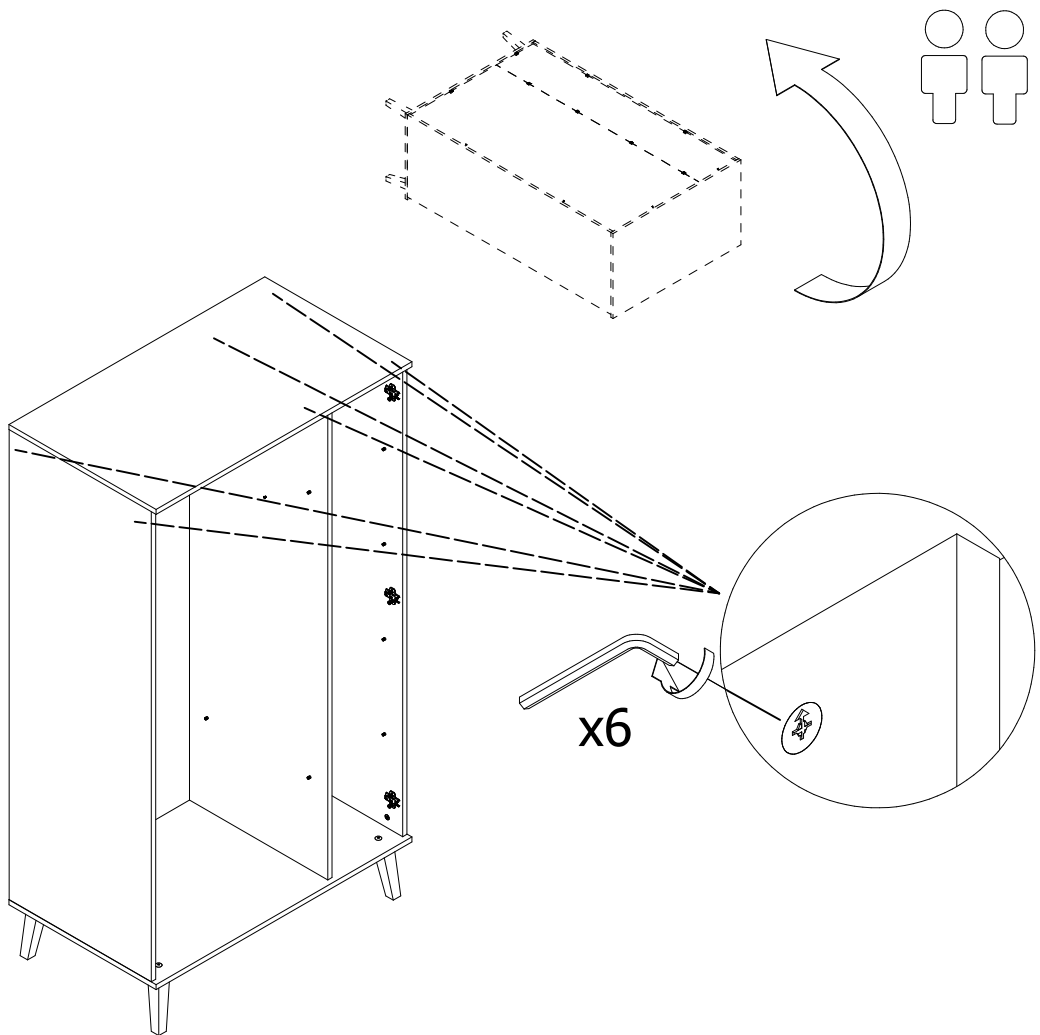
# 10



# 11



# 12



# 13



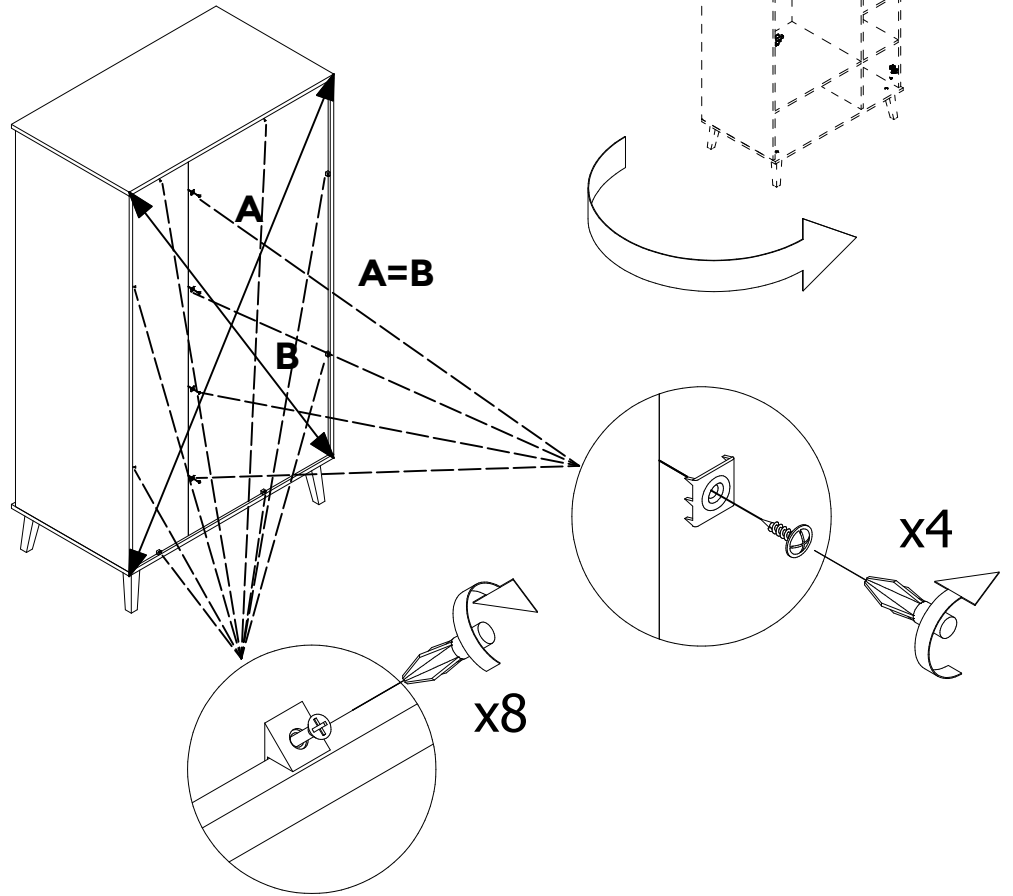
C04790  
x8



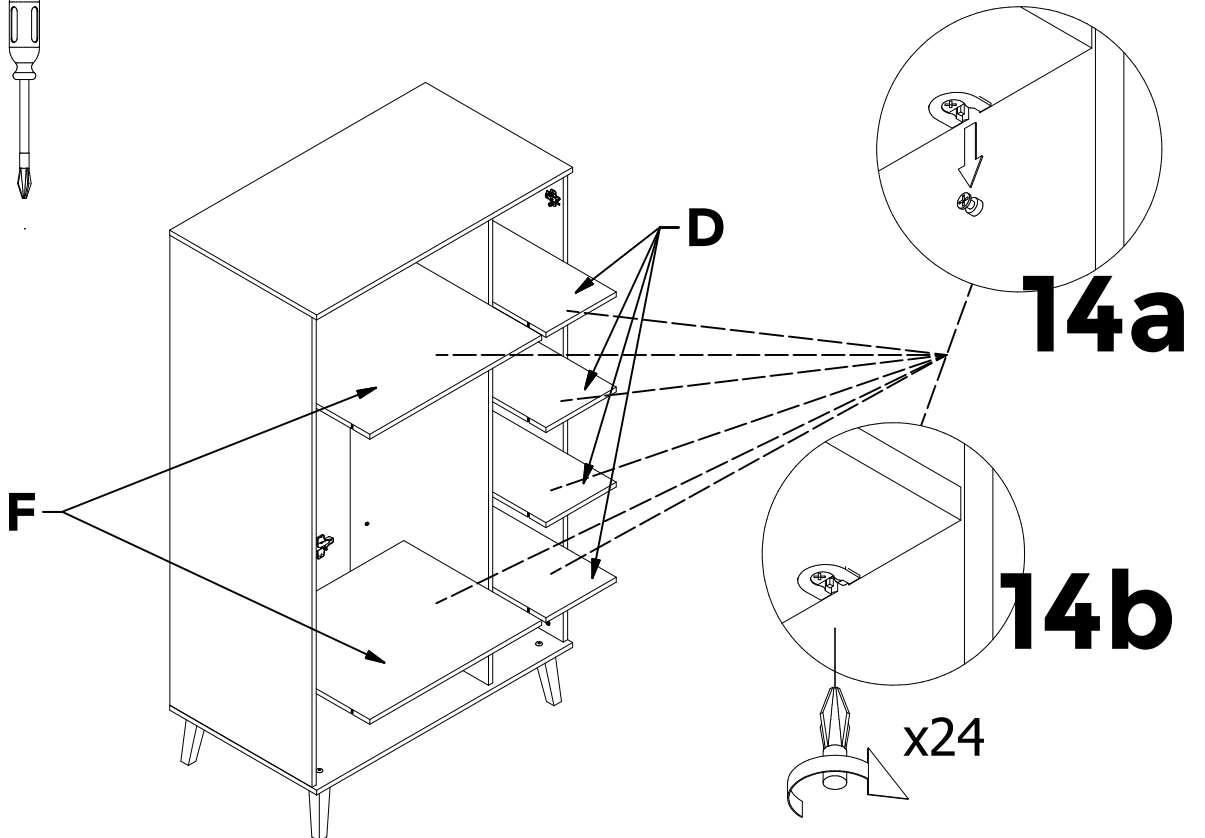
C00325  
x4



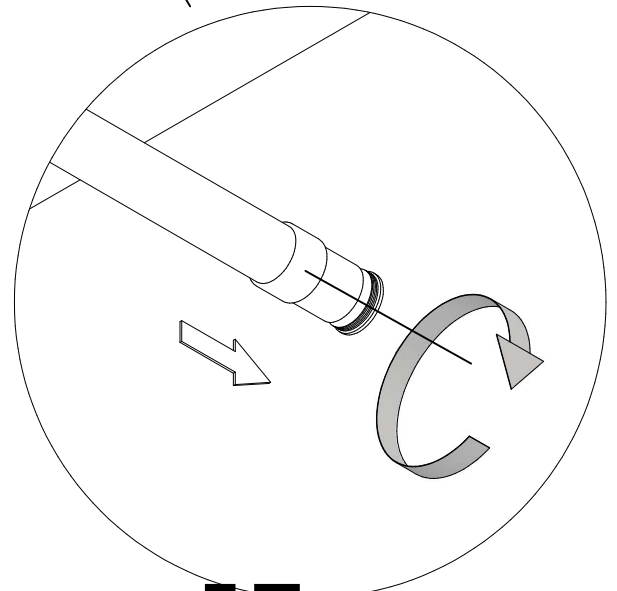
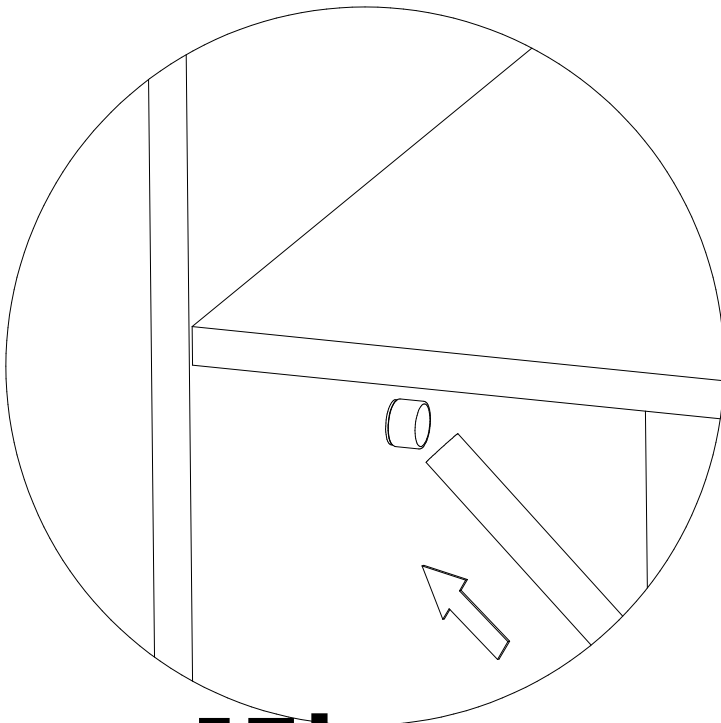
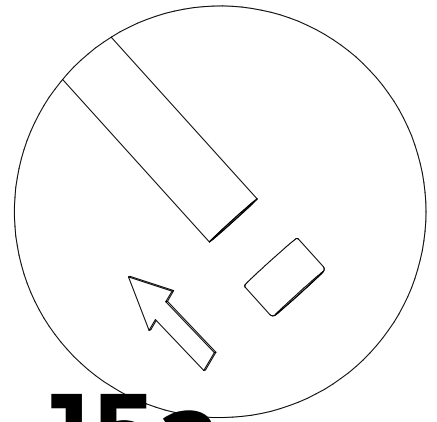
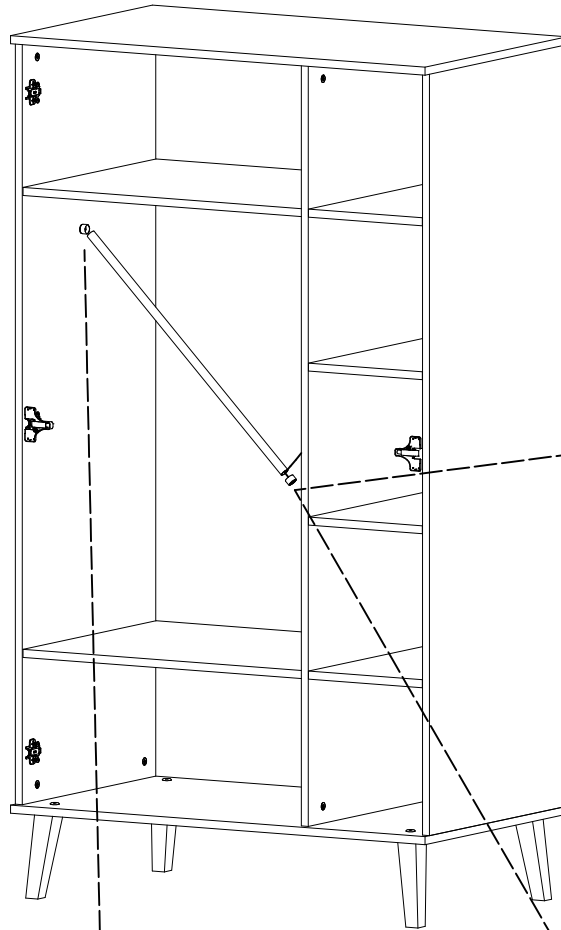
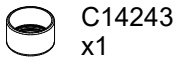
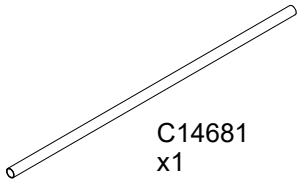
C01528  
x4



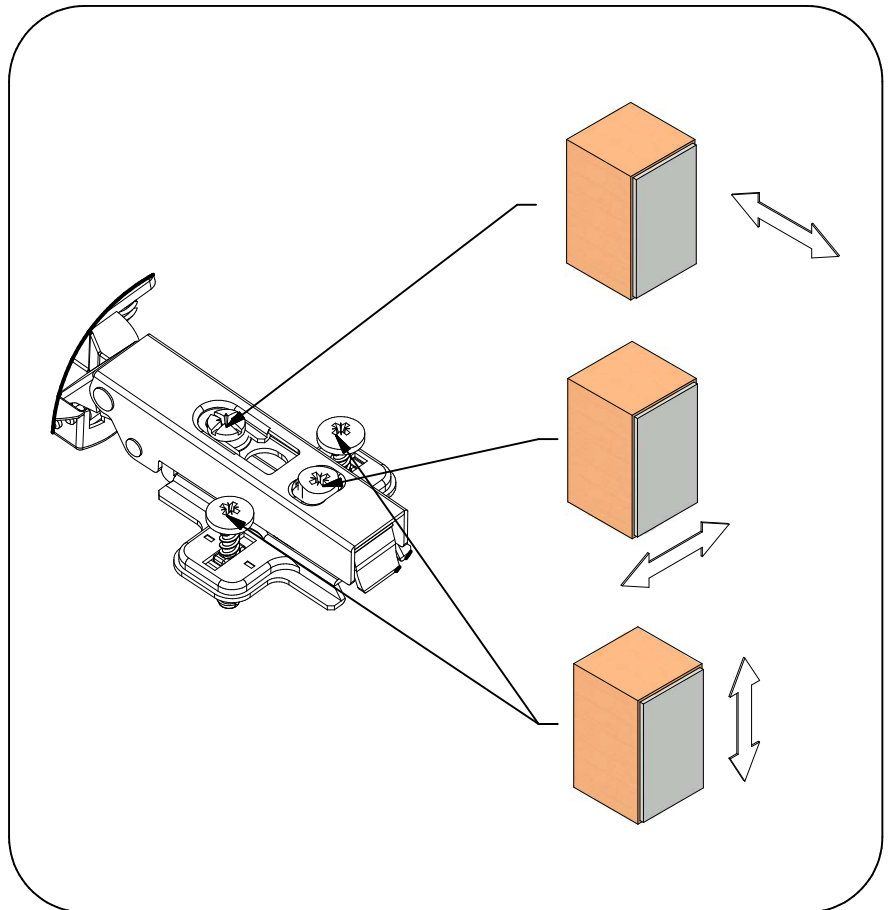
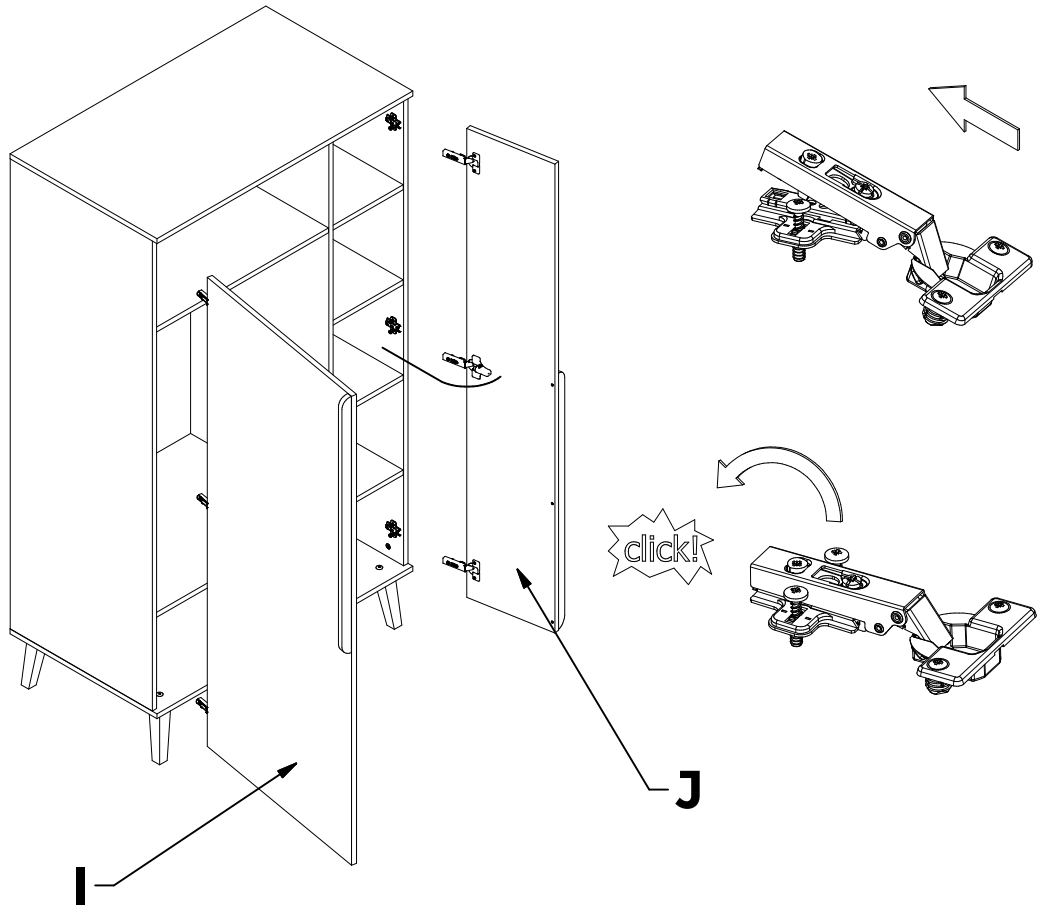
# 14



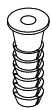
# 15



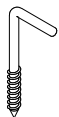
# 16



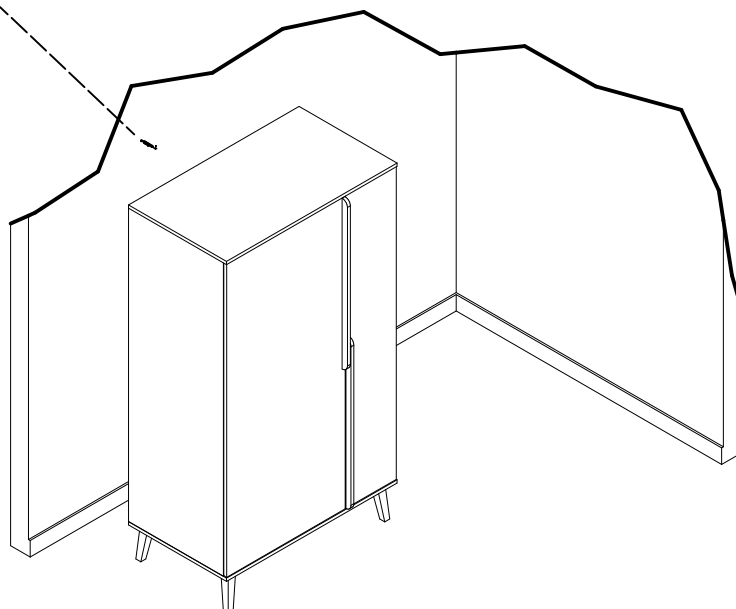
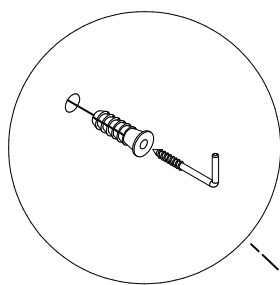
# 17



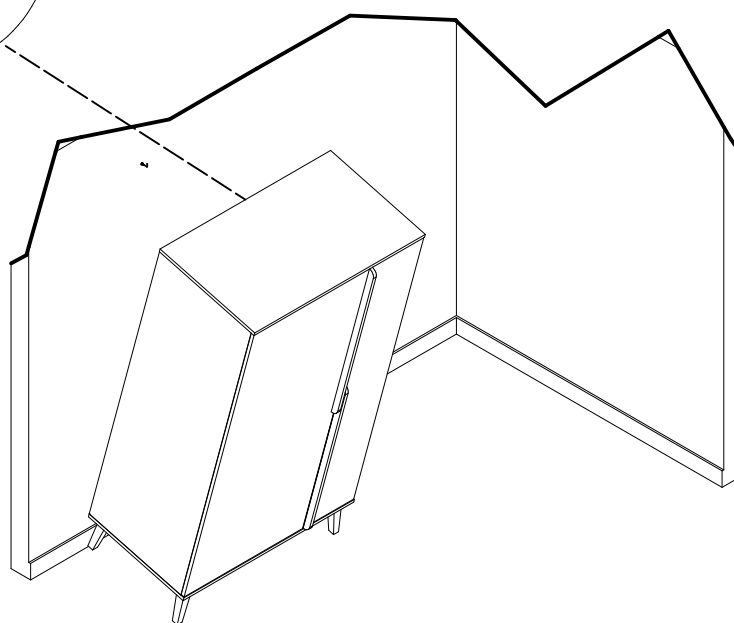
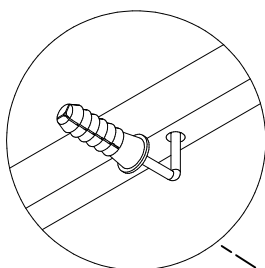
C0326  
x1



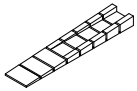
C10392  
x1



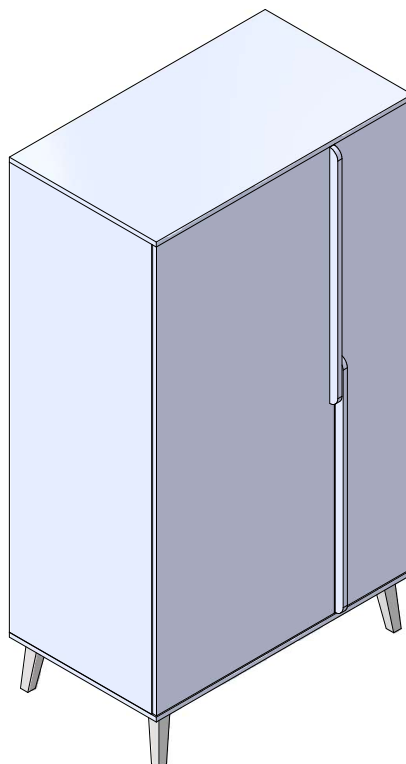
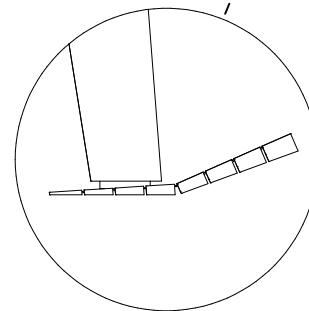
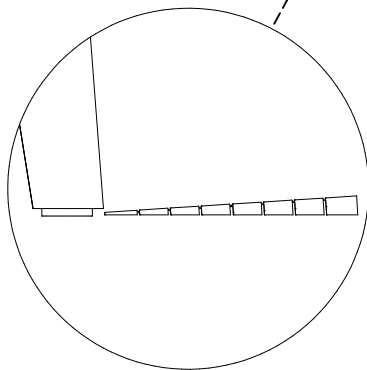
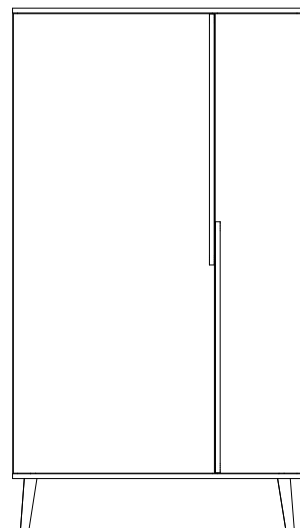
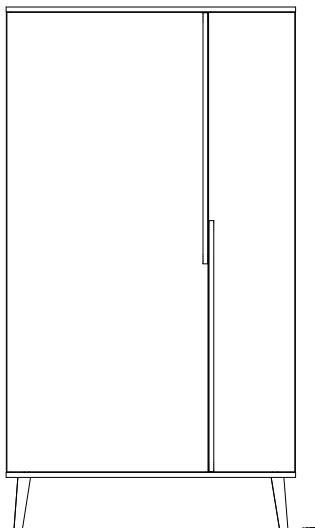
# 18



# 19



C00329  
x1



# OK